

NORTHERN LIGHTS

SAN FRANCISCO, PENDANT

SPECIFICATION SHEET



PRODUCT CODE: NB742

FINISH: P2/MAQ MEDIUM ANTIQUE

GLASS: CLEAR

SHADE: NCG111/CL

FLEX: BLACK BRAIDED

DIAMETER: 275mm

HEIGHT: 160mm

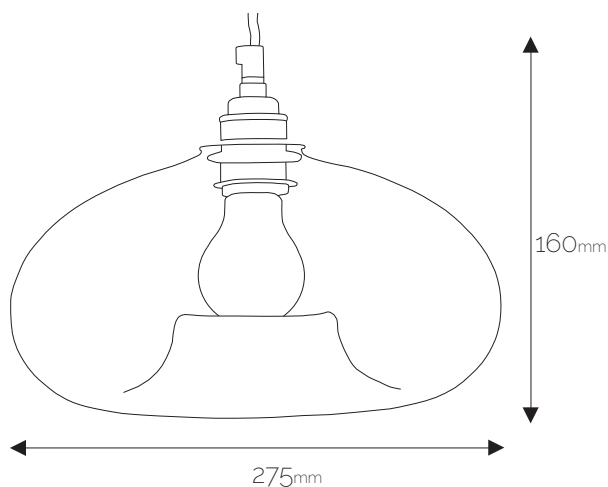
MAX WATTAGE: 1 x 40W

RECOMMENDED LAMP: LED FILAMENT

LAMP TYPE: E27 / ES

MORE INFO:

Doughnut-shaped clear glass pendant supplied with a black braided flex. Ideal with filament lamps. Tinted glass option and other finishes and flex options available.



**BAR &
RESTAURANT**