

NORTHERN LIGHTS

RIPLEY, TABLE

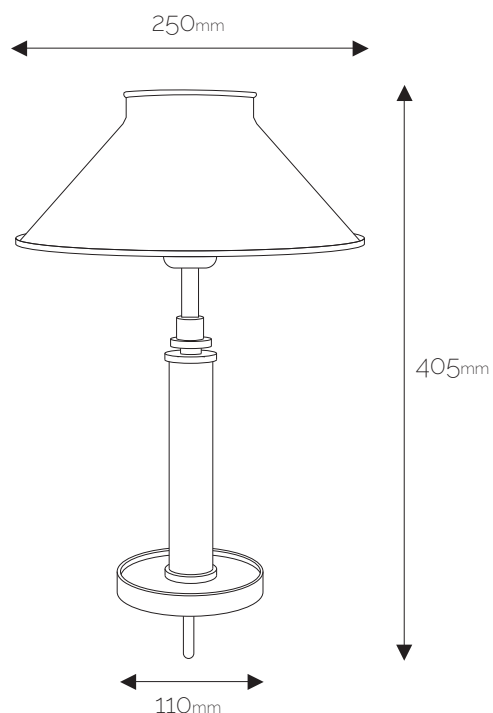
SPECIFICATION SHEET



MORE INFO:

Medium brass fixed table lamp complete with a racing green shade.

PRODUCT CODE: BAR/TL10/M2/BRM
FINISH: M2/BRM MEDIUM BRASS
SHADE: GREEN
PLUG: 3 PIN UK SQUARE
HEIGHT: 405mm
DIAMETER: 250mm
FIXED: YES
MAX WATTAGE: 1 x 40W
RECOMMENDED LAMP: LED LAMP
TYPE: E14/SES



**BAR &
RESTAURANT**