

# NORTHERN LIGHTS

PARKER, WALL

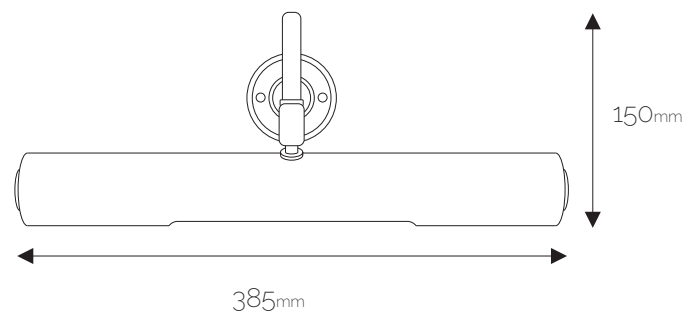
## SPECIFICATION SHEET



PRODUCT CODE: ND1081/14  
FINISH: M2/BRL BRASS LIGHT  
ARM: ONE  
SHADE: n/a  
HEIGHT: 150mm  
WIDTH: 385mm  
LENGTH: n/a  
MAX WATTAGE: 1 x 40W  
RECOMMENDED LAMP: LED  
LAMP TYPE: G9

MORE INFO:

Light brass picture lighting.



**BAR &  
RESTAURANT**