

NORTHERN LIGHTS

OXFORD, TABLE

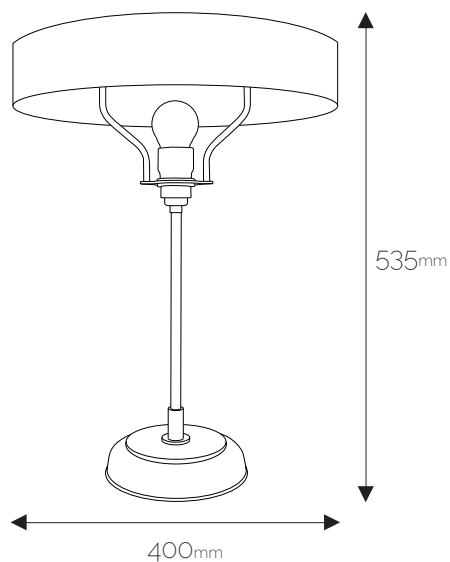
SPECIFICATION SHEET



PRODUCT CODE: BAR/TL3
FINISH: P4/PAQ POLISHED ANTIQUE
PLUG: 3 PIN UK SQUARE
FLEX: BROWN BRAIDED
HEIGHT: 535mm
DIAMETER: 400mm
PROJECTION: n/a
MAX WATTAGE: 1 x 40W
RECOMMENDED LAMP: LED FILAMENT
LAMP TYPE: E27 / ES

MORE INFO:

Antique table lamp.



**BAR &
RESTAURANT**