

NORTHERN LIGHTS

MONDO

WALL

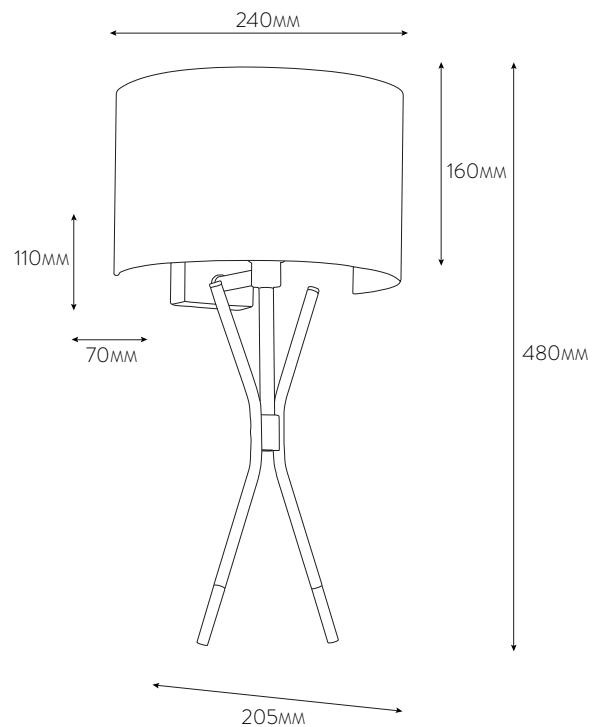
PRODUCT CODE: MONDO WALL NA545

An enduring classic, the Mondo range lifts this tripod design with fine brass detailing to the legs and centre body feature, beautifully complementing the black eggshell finish.

Completed with a Chartreuse satin shade with gold PVC lining, it is a perfect solution for both residential and hospitality schemes.

Bespoke finish and shade options are available.

Please contact us for details.



MAX WATTAGE : 1 X 40W
LAMP HOLDER TYPE : E27
RECOMMENDED LAMP : LED