

NORTHERN LIGHTS

HARBOR, WALL

SPECIFICATION SHEET



PRODUCT CODE: **BAR/WL1**

FINISH: **P2/DBR PAINTED DULL BRASS**

LAMPHOLDER: **n/a**

SHADE: **n/a**

HEIGHT: **170mm**

DIAMETER: **220mm**

PROJECTION: **250mm**

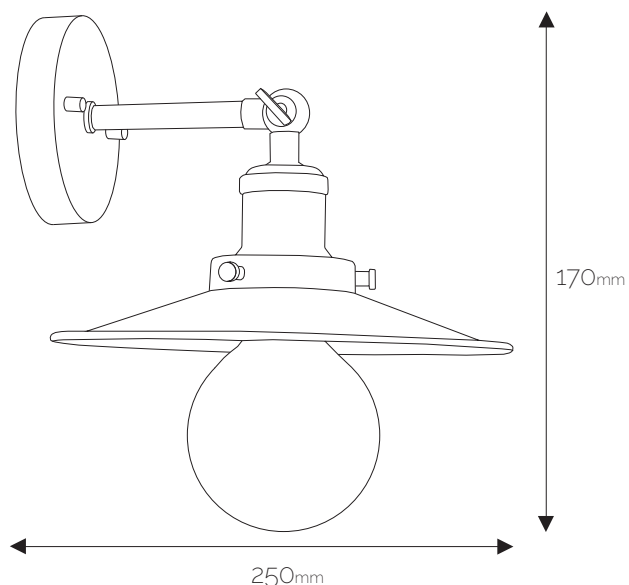
MAX WATTAGE: **1 x 40W**

RECOMMENDED LAMP: **LED FILAMENT**

LAMP TYPE: **E27 / ES**

MORE INFO:

A classically styled wall light with spun shade, ideal for use with filament lamps – in a painted antique bronze finish.



**BAR &
RESTAURANT**