

# NORTHERN LIGHTS

## DETROIT, PENDANT

### SPECIFICATION SHEET



PRODUCT CODE: NB749

FINISH: BLACK

FLEX: BLACK BRAIDED

SHADE: n/a

HEIGHT: 320mm

WIDTH: 140mm

PROJECTION: n/a

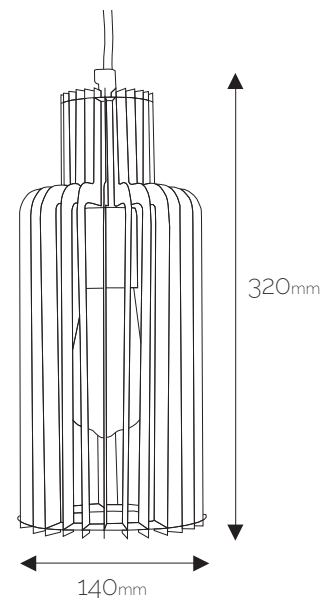
MAX WATTAGE: 1 x 40W

RECOMMENDED LAMP: LED FILAMENT

LAMP TYPE: E27 / ES

#### MORE INFO:

The pendant is constructed from an array of black fins, with a black lamp holder and braided flex to give this pendant an industrial feel. Other finishes are available.



**BAR &  
RESTAURANT**