

NORTHERN LIGHTS

CALEXICO, PENDANT

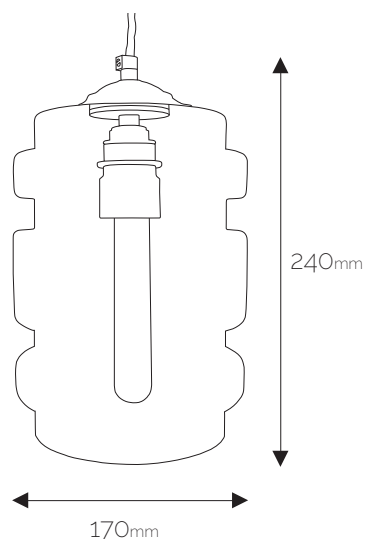
SPECIFICATION SHEET



PRODUCT CODE: NB744
FINISH: P2/MAQ MEDIUM ANTIQUE
GLASS: CLEAR
SHADE: NCG112/CL
FLEX: BLACK BRAIDED
DIAMETER: 170mm
HEIGHT: 240mm
MAX WATTAGE: 1 x 40W
RECOMMENDED LAMP: LED FILAMENT
LAMP TYPE: E27 / ES

MORE INFO:

Clear glass pendant featuring a ribbed glass shade with decorative cap in an antique finish. Supplied with a black braided flex. Ideal with filament lamps. Tinted glass option available. Other finishes and flex options available.



**BAR &
RESTAURANT**