

NORTHERN LIGHTS

BROOKLYN, PENDANT

SPECIFICATION SHEET



PRODUCT CODE: NB705

FINISH: BLACK

LAMPHOLDER: BLACK

FLEX: GOLD BRAIDED

HEIGHT: 260mm

WIDTH: 140mm

PROJECTION: n/a

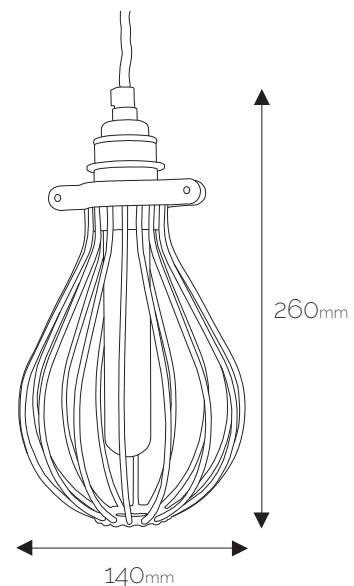
MAX WATTAGE: 1 x 40W

RECOMMENDED LAMP: LED FILAMENT

LAMP TYPE: E27 / ES

MORE INFO:

Black wire cage complete with a vintage lampholder and gold braided flex. Other finishes and flexes are available.



**BAR &
RESTAURANT**