

NORTHERN LIGHTS

ALLSTON, PENDANT

SPECIFICATION SHEET



PRODUCT CODE: NB754

FINISH: DARK WOOD STAIN

FLEX: BLACK BRAIDED

PATTERN: n/a

HEIGHT: 305mm

DIAMETER: 600mm

LENGTH: n/a

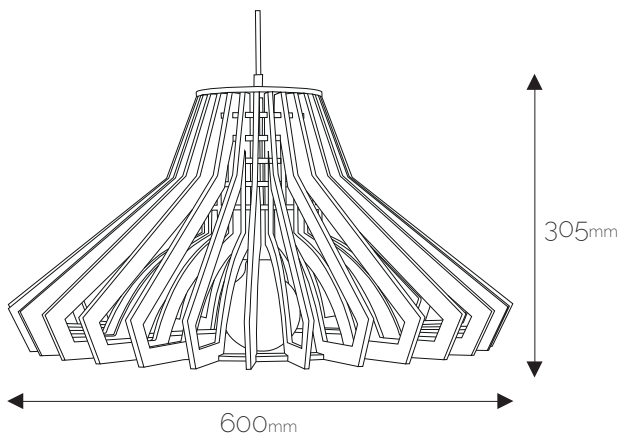
MAX WATTAGE: 1 x 40W

RECOMMENDED LAMP: LED FILAMENT

LAMP TYPE: E27 / ES

MORE INFO:

From the Juno range, this pendant is constructed from angular timber fins arranged in concentric linear arrays. Light from the decorative filament lamp (optional) shines through the timber fins, generating interesting pools of light. All of the products in our Juno range are constructed using real wood veneers which can be stained to a variety of colours



**BAR &
RESTAURANT**