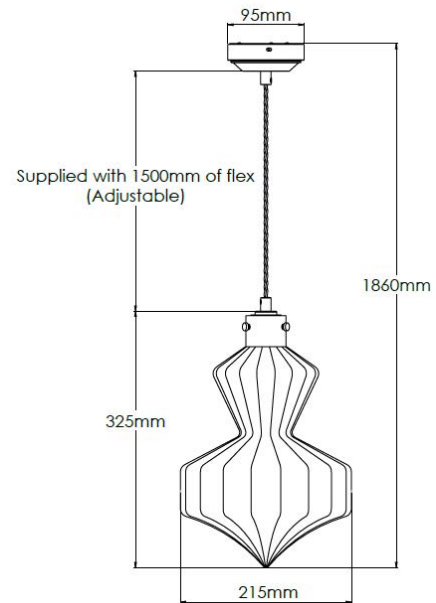


Product Description

Anthracite glass pendant

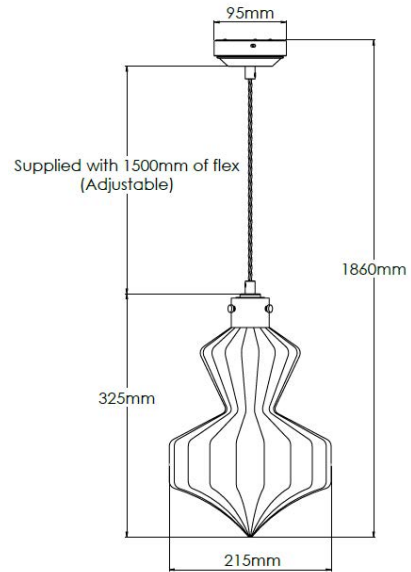


Technical Specification

MATERIAL	Brass / Glass	IP Rating	IP20
FINISH	Oiled Bronze M6/OBZ	HEIGHT	1860mm
LAMPHOLDER TYPE	E27 x 1	WIDTH	215mm
RECOMMENDED LAMP	Tube	DEPTH/PROJECTION	215mm
MAX WATTAGE	4W	BACK/CEILING PLATE	95mm
CERTIFICATIONS	UKCA CE, UL	BASE DIAMETER	N/A
DIMMABLE	Mains - If lamps are compatible	WEIGHT	6kg
CLASS I / II / III	Class I	SHADE MATERIAL	Glass

Product Description

Smoke glass pendant

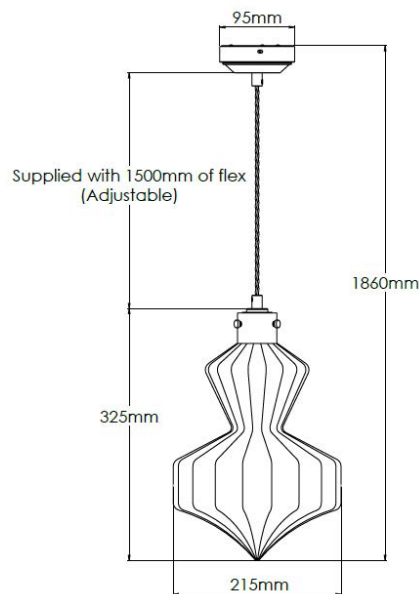


Technical Specification

MATERIAL	Brass / Glass	IP Rating	IP20
FINISH	Oiled Bronze M6/OBZ	HEIGHT	1860mm
LAMPHOLDER TYPE	E27 x 1	WIDTH	215mm
RECOMMENDED LAMP	Tube	DEPTH/PROJECTION	215mm
MAX WATTAGE	12W	BACK/CEILING PLATE	95mm
CERTIFICATIONS	UKCA CE, UL	BASE DIAMETER	N/A
DIMMABLE	Mains - If lamps are compatible	WEIGHT	6kg
CLASS I / II / III	Class I	SHADE MATERIAL	Glass

Product Description

Teal glass pendant



Technical Specification

MATERIAL	Brass / Glass	IP Rating	IP20
FINISH	Oiled Bronze M6/OBZ	HEIGHT	1860mm
LAMPHOLDER TYPE	E27 x 1	WIDTH	215mm
RECOMMENDED LAMP	Tube	DEPTH/PROJECTION	215mm
MAX WATTAGE	4W	BACK/CEILING PLATE	95mm
CERTIFICATIONS	UKCA CE, UL	BASE DIAMETER	N/A
DIMMABLE	Mains - If lamps are compatible	WEIGHT	6kg
CLASS I / II / III	Class I	SHADE MATERIAL	Glass