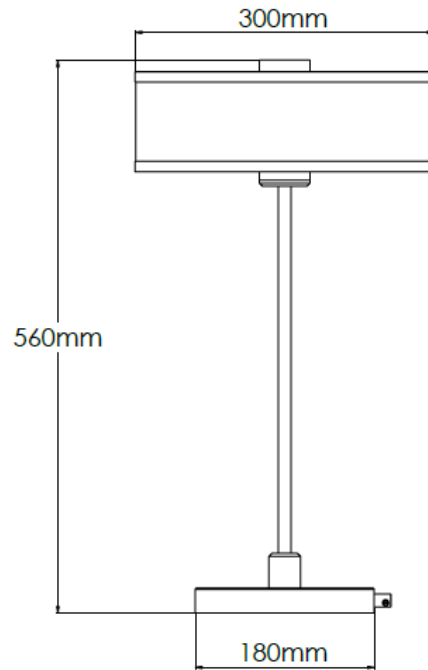


Product Description

Dark Antique table lamp with white acrylic shade



Technical Specification

MATERIAL	Mild Steel / Acrylic	IP Rating	IP20
FINISH	Dark Antique P2/DAQ	HEIGHT	560mm
LAMPHOLDER TYPE	Large G9	WIDTH	300mm
RECOMMENDED LAMP	G9 Only	DEPTH/PROJECTION	N/A
MAX WATTAGE	12W	BACK/CEILING PLATE	N/A
CERTIFICATIONS	UKCA CE	BASE DIAMETER	180mm
DIMMABLE	Mains - If lamps are compatible	WEIGHT	3kg
CLASS I / II / III	Class I	SHADE MATERIAL	Acrylic