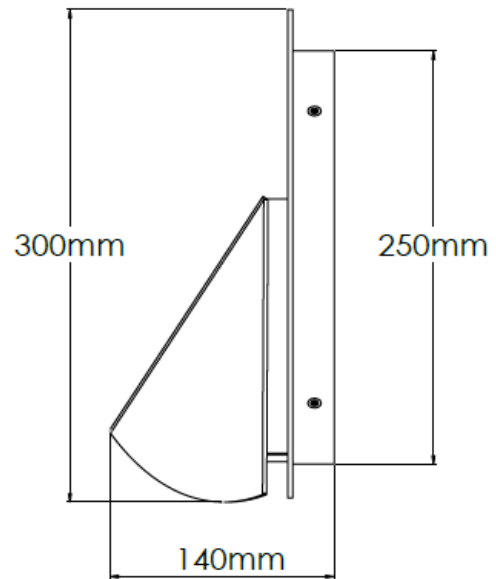


## Product Description

Sydney wall light in light antique

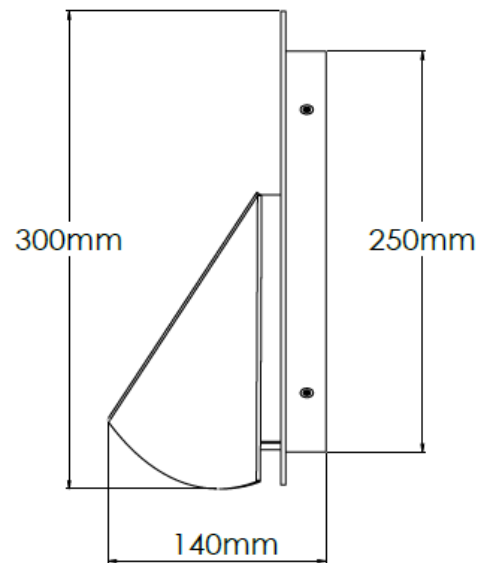


## Technical Specification

<b>MATERIAL</b>	Mild Steel / Acrylic	<b>IP Rating</b>	IP20
<b>FINISH</b>	Light Antique P2/LAQ	<b>HEIGHT</b>	300mm
<b>LAMPHOLDER TYPE</b>	LED Strip	<b>WIDTH</b>	150mm
<b>RECOMMENDED LAMP</b>	N/A	<b>DEPTH/PROJECTION</b>	140mm
<b>MAX WATTAGE</b>	7.2W	<b>BACK/CEILING PLATE</b>	250mm
<b>CERTIFICATIONS</b>	UKCA CE	<b>BASE DIAMETER</b>	N/A
<b>DIMMABLE</b>	N/A	<b>WEIGHT</b>	3kg
<b>CLASS I / II / III</b>	Class I	<b>SHADE MATERIAL</b>	N/A

## Product Description

Sydney wall lamp in white



## Technical Specification

<b>MATERIAL</b>	Mild Steel / Acrylic	<b>IP Rating</b>	IP20
<b>FINISH</b>	White RAL/9010	<b>HEIGHT</b>	300mm
<b>LAMPHOLDER TYPE</b>	LED Strip	<b>WIDTH</b>	150mm
<b>RECOMMENDED LAMP</b>	N/A	<b>DEPTH/PROJECTION</b>	140mm
<b>MAX WATTAGE</b>	7.2W	<b>BACK/CEILING PLATE</b>	250mm
<b>CERTIFICATIONS</b>	UKCA CE	<b>BASE DIAMETER</b>	N/A
<b>DIMMABLE</b>	N/A	<b>WEIGHT</b>	3kg
<b>CLASS I / II / III</b>	Class I	<b>SHADE MATERIAL</b>	N/A