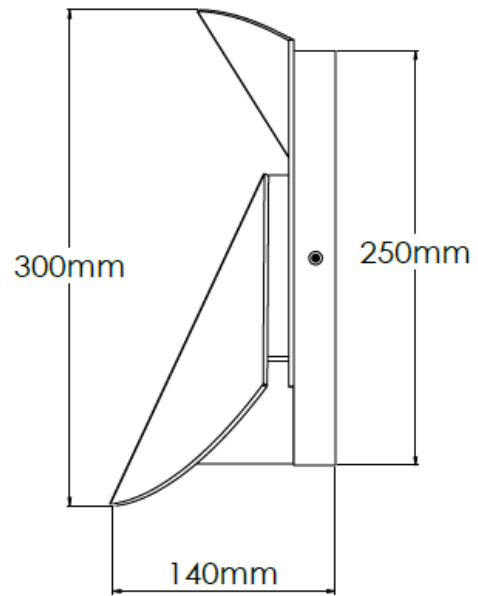


Product Description

Sydney Up/Down Wall Light in Light Antique

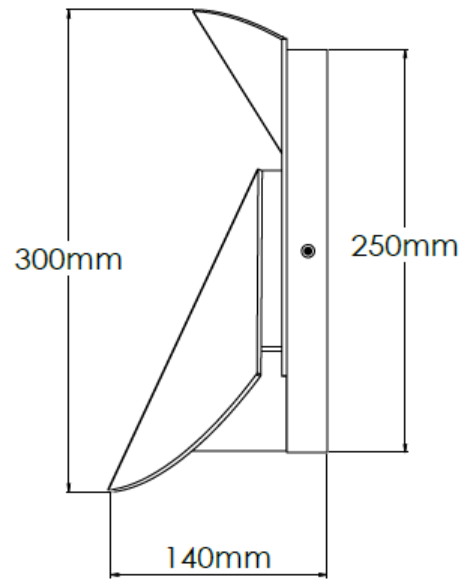


Technical Specification

MATERIAL	Mild Steel / Acrylic	IP Rating	IP20
FINISH	Light Antique P2/LAQ	HEIGHT	300mm
LAMPHOLDER TYPE	LED Strip / LED COB	WIDTH	150mm
RECOMMENDED LAMP	N/A	DEPTH/PROJECTION	140mm
MAX WATTAGE	8.4W	BACK/CEILING PLATE	250mm
CERTIFICATIONS	UKCA CE	BASE DIAMETER	N/A
DIMMABLE	N/A	WEIGHT	3kg
CLASS I / II / III	Class I	SHADE MATERIAL	N/A

Product Description

Sydney Up/Down Wall Light in White



Technical Specification

MATERIAL	Mild Steel / Acrylic	IP Rating	IP20
FINISH	RAL 9010	HEIGHT	300mm
LAMPHOLDER TYPE	LED Strip / LED COB	WIDTH	150mm
RECOMMENDED LAMP	N/A	DEPTH/PROJECTION	140mm
MAX WATTAGE	8.4W	BACK/CEILING PLATE	250mm
CERTIFICATIONS	UKCA CE	BASE DIAMETER	N/A
DIMMABLE	N/A	WEIGHT	3kg
CLASS I / II / III	Class I	SHADE MATERIAL	N/A