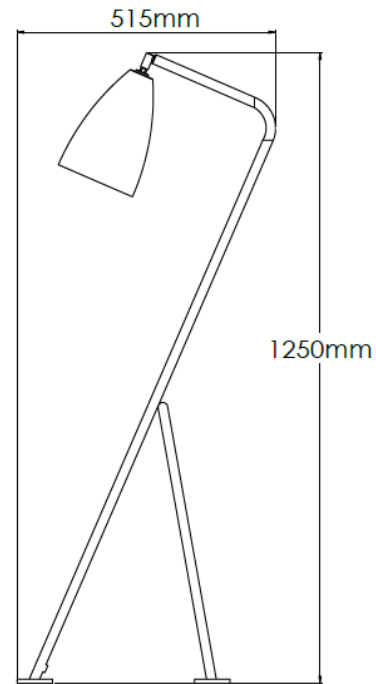


Product Description

Black and painted copper angled tripod floor lamp



Technical Specification

MATERIAL	Mild Steel	IP Rating	IP20
FINISH	P/C Matte Black P1/	HEIGHT	1250mm
LAMPHOLDER TYPE	MBL E27 x 1	WIDTH	515mm
RECOMMENDED LAMP	GLS	DEPTH/PROJECTION	515mm
MAX WATTAGE	8W	BACK/CEILING PLATE	N/A
CERTIFICATIONS	UKCA CE, UL	BASE DIAMETER	480 x
DIMMABLE	Mains - If lamps are compatible	WEIGHT	425mm 15kg
CLASS I / II / III	Class I	SHADE MATERIAL	Metal