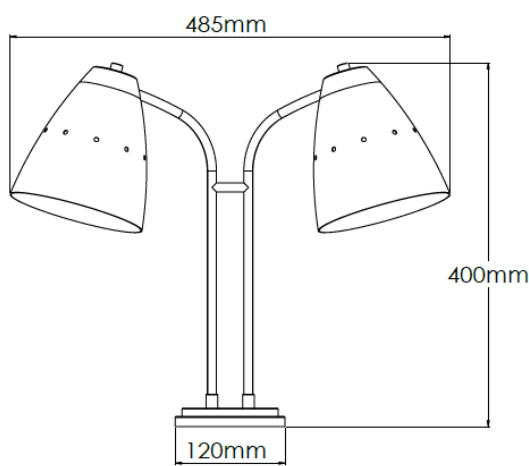


## Product Description

Brass fixed twin table lamp



## Technical Specification

<b>MATERIAL</b>	Brass	<b>IP Rating</b>	IP20
<b>FINISH</b>	Brass Medium M2/BRM	<b>HEIGHT</b>	400mm
<b>LAMPHOLDER TYPE</b>	E27 x 2	<b>WIDTH</b>	485mm
<b>RECOMMENDED LAMP</b>	GLS	<b>DEPTH/PROJECTION</b>	205mm
<b>MAX WATTAGE</b>	16W	<b>BACK/CEILING PLATE</b>	N/A
<b>CERTIFICATIONS</b>	UKCA CE	<b>BASE DIAMETER</b>	120mm
<b>DIMMABLE</b>	Mains - If lamps are compatible	<b>WEIGHT</b>	8kg
<b>CLASS I / II / III</b>	Class I	<b>SHADE MATERIAL</b>	Metal