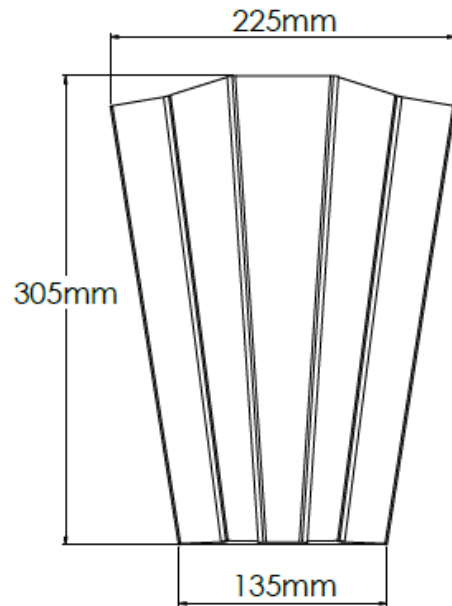


Product Description

Wall Light, finished in aged brass

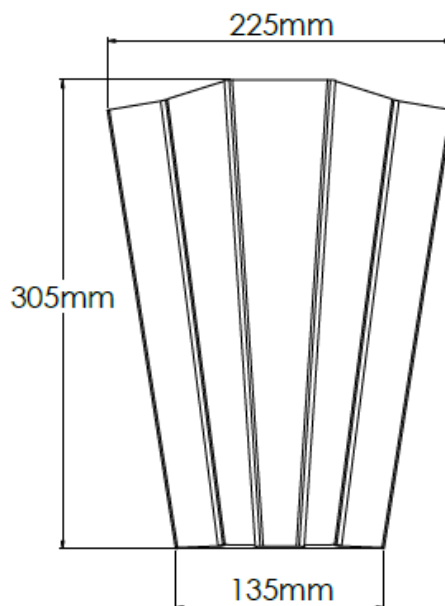


Technical Specification

MATERIAL	Brass	IP Rating	IP20
FINISH	Aged Brass M6/AGBR	HEIGHT	305mm
LAMPHOLDER TYPE	E14 x 1	WIDTH	225mm
RECOMMENDED LAMP	Candle	DEPTH/PROJECTION	95mm
MAX WATTAGE	8W	BACK/CEILING PLATE	220x285mm
CERTIFICATIONS	UKCA CE, UL	BASE DIAMETER	N/A
DIMMABLE	Mains - If lamps are compatible	WEIGHT	4kg
CLASS I / II / III	Class I	SHADE MATERIAL	N/A

Product Description

Wall Light, finished in antique nickel



Technical Specification

MATERIAL	Mild Steel	IP Rating	IP20
FINISH	Antique Nickel M5/ANTNCKL	HEIGHT	305mm
LAMPHOLDER TYPE	E14 x 1	WIDTH	225mm
RECOMMENDED LAMP	Candle	DEPTH/PROJECTION	95mm
MAX WATTAGE	8W	BACK/CEILING PLATE	220x285mm
CERTIFICATIONS	UKCA CE, UL	BASE DIAMETER	N/A
DIMMABLE	Mains - If lamps are compatible	WEIGHT	4kg
CLASS I / II / III	Class I	SHADE MATERIAL	N/A