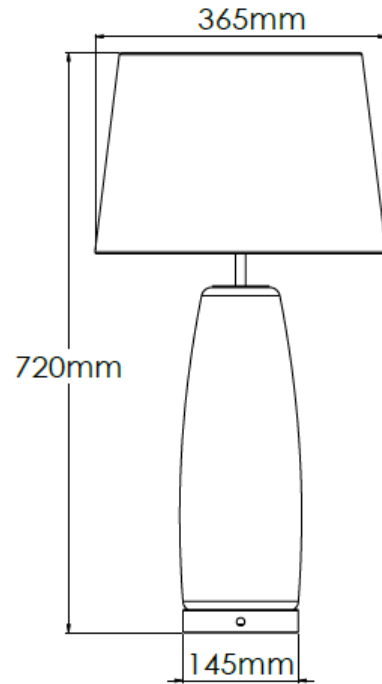


Product Description

Crackle-effect, freeform glass-bodied table lamp with steel metalwork and smoke shade



Technical Specification

MATERIAL	Glass / Steel	IP Rating	IP20
FINISH	Oiled Bronze M6/OBZ	HEIGHT	720mm
LAMPHOLDER TYPE	E27 x 1	WIDTH	365mm
RECOMMENDED LAMP	GLS	DEPTH/PROJECTION	365mm
MAX WATTAGE	12W	BACK/CEILING PLATE	N/A
CERTIFICATIONS	UKCA CE	BASE DIAMETER	145mm
DIMMABLE	Mains - If lamps are compatible	WEIGHT	8kg
CLASS I / II / III	Class I	SHADE MATERIAL	Fabric