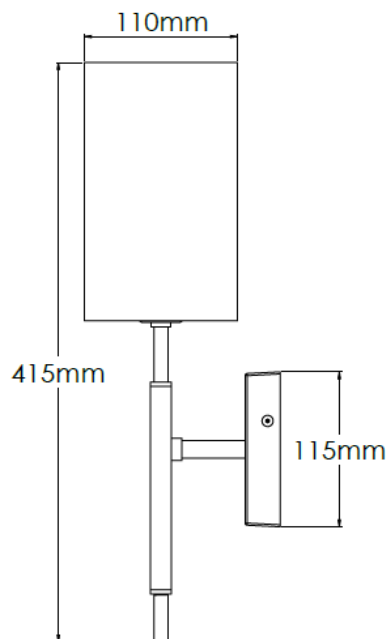


## Product Description

Mild steel wall lamp with clementine satin shade

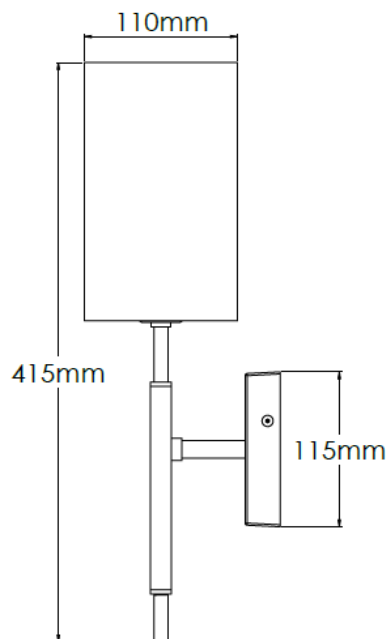


## Technical Specification

<b>MATERIAL</b>	Mild Steel / Brass	<b>IP Rating</b>	IP20
<b>FINISH</b>	Pewter P1/PTW	<b>HEIGHT</b>	415mm
<b>LAMPHOLDER TYPE</b>	E27 x 1	<b>WIDTH</b>	115mm
<b>RECOMMENDED LAMP</b>	GLS	<b>DEPTH/PROJECTION</b>	140mm
<b>MAX WATTAGE</b>	12W	<b>BACK/CEILING PLATE</b>	115mm
<b>CERTIFICATIONS</b>	UKCA CE	<b>BASE DIAMETER</b>	N/A
<b>DIMMABLE</b>	Mains - If lamps are compatible	<b>WEIGHT</b>	4kg
<b>CLASS I / II / III</b>	Class I	<b>SHADE MATERIAL</b>	Fabric

## Product Description

Mild steel wall lamp with ivory satin shade

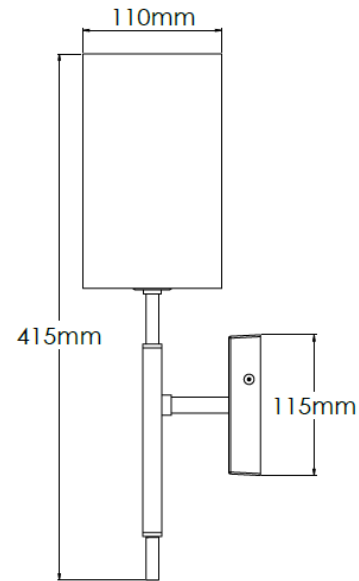


## Technical Specification

<b>MATERIAL</b>	Mild Steel / Brass	<b>IP Rating</b>	IP20
<b>FINISH</b>	Pewter P1/PTW	<b>HEIGHT</b>	415mm
<b>LAMPHOLDER TYPE</b>	E27 x 1	<b>WIDTH</b>	115mm
<b>RECOMMENDED LAMP</b>	GLS	<b>DEPTH/PROJECTION</b>	140mm
<b>MAX WATTAGE</b>	12W	<b>BACK/CEILING PLATE</b>	115mm
<b>CERTIFICATIONS</b>	UKCA CE	<b>BASE DIAMETER</b>	N/A
<b>DIMMABLE</b>	Mains - If lamps are compatible	<b>WEIGHT</b>	4kg
<b>CLASS I / II / III</b>	Class I	<b>SHADE MATERIAL</b>	Fabric

## Product Description

Mild steel wall lamp with teal satin shade



## Technical Specification

<b>MATERIAL</b>	Mild Steel / Brass	<b>IP Rating</b>	IP20
<b>FINISH</b>	Pewter P1/PTW	<b>HEIGHT</b>	415mm
<b>LAMPHOLDER TYPE</b>	E27 x 1	<b>WIDTH</b>	115mm
<b>RECOMMENDED LAMP</b>	GLS	<b>DEPTH/PROJECTION</b>	140mm
<b>MAX WATTAGE</b>	12W	<b>BACK/CEILING PLATE</b>	115mm
<b>CERTIFICATIONS</b>	UKCA CE	<b>BASE DIAMETER</b>	N/A
<b>DIMMABLE</b>	Mains - If lamps are compatible	<b>WEIGHT</b>	4kg
<b>CLASS I / II / III</b>	Class I	<b>SHADE MATERIAL</b>	Fabric