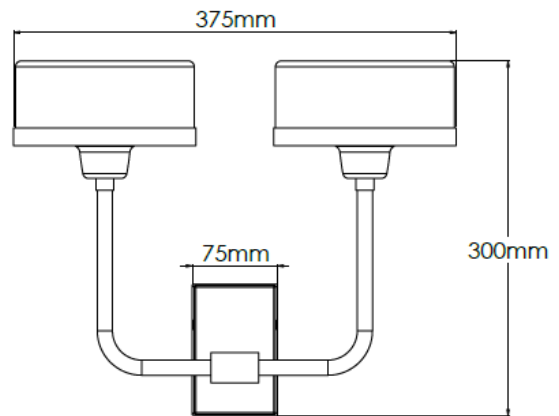


Product Description

Brass medium twin arm wall light with opal glass drums



Technical Specification

MATERIAL	Brass / Glass	IP Rating	IP20
FINISH	Brass Medium - M2/BRM	HEIGHT	300mm
LAMPHOLDER TYPE	Large G9	WIDTH	375mm
RECOMMENDED LAMP	G9 Only	DEPTH/PROJECTION	190mm
MAX WATTAGE	6W	BACK/CEILING PLATE	115x75mm
CERTIFICATIONS	UKCA CE	BASE DIAMETER	N/A
DIMMABLE	Mains - If lamps are compatible	WEIGHT	4kg
CLASS I / II / III	Class I	SHADE MATERIAL	Glass