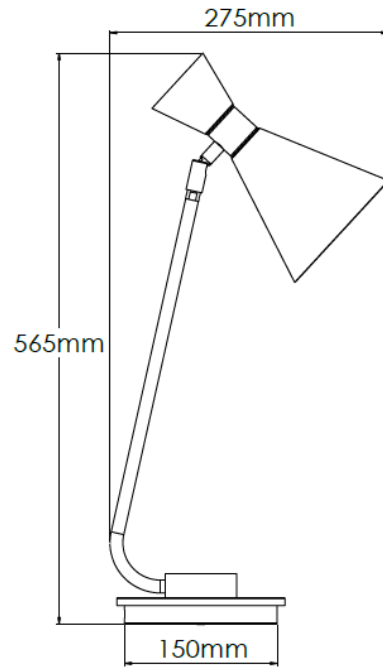


Product Description

Matt black steel and brushed brass table lamp



Technical Specification

MATERIAL	Brass / Mild Steel	IP Rating	IP20
FINISH	P/C Matte Black P1/MBL	HEIGHT	565mm
LAMPHOLDER TYPE	SES x 1	WIDTH	275mm
RECOMMENDED LAMP	Candle	DEPTH/PROJECTION	275mm
MAX WATTAGE	8W	BACK/CEILING PLATE	N/A
CERTIFICATIONS	UKCA CE	BASE DIAMETER	150mm
DIMMABLE	Mains - If lamps are compatible	WEIGHT	7kg
CLASS I / II / III	Class I	SHADE MATERIAL	Metal