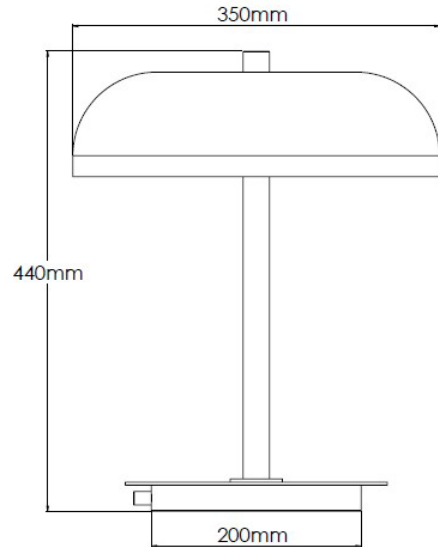


## Product Description

Light antique table lamp with matt black shade



## Technical Specification

<b>MATERIAL</b>	Mild Steel	<b>IP Rating</b>	IP20
<b>FINISH</b>	Light Antique P2/LAQ	<b>HEIGHT</b>	440mm
<b>LAMPHOLDER TYPE</b>	Large G9	<b>WIDTH</b>	350mm
<b>RECOMMENDED LAMP</b>	G9 Only	<b>DEPTH/PROJECTION</b>	350mm
<b>MAX WATTAGE</b>	12W	<b>BACK/CEILING PLATE</b>	N/A
<b>CERTIFICATIONS</b>	UKCA CE	<b>BASE DIAMETER</b>	200mm
<b>DIMMABLE</b>	Mains - If lamps are compatible	<b>WEIGHT</b>	5kg
<b>CLASS I / II / III</b>	Class I	<b>SHADE MATERIAL</b>	Metal