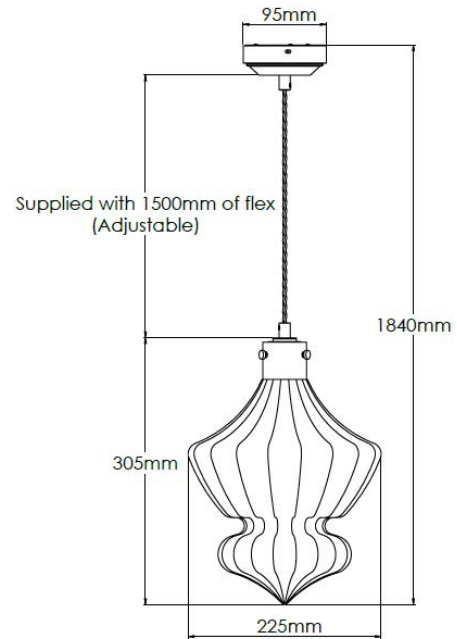


Product Description

Anthracite glass pendant

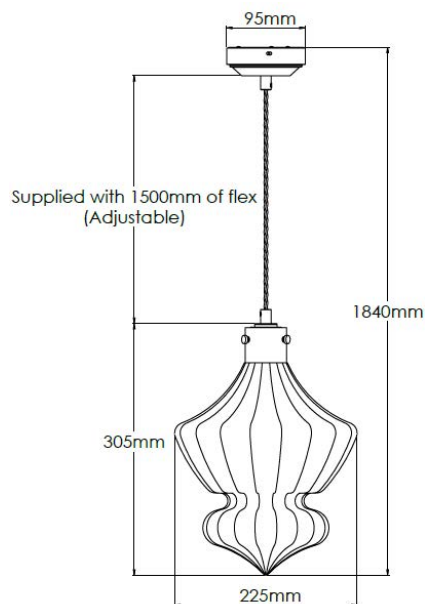


Technical Specification

| | | | |
|---------------------------|---------------------------------|---------------------------|--------|
| MATERIAL | Brass / Glass | IP Rating | IP20 |
| FINISH | Oiled Bronze M6/OBZ | HEIGHT | 1840mm |
| LAMPHOLDER TYPE | E27 x 1 | WIDTH | 225mm |
| RECOMMENDED LAMP | Tube | DEPTH/PROJECTION | 225mm |
| MAX WATTAGE | 4W | BACK/CEILING PLATE | 95mm |
| CERTIFICATIONS | UKCA CE, UL | BASE DIAMETER | N/A |
| DIMMABLE | Mains - If lamps are compatible | WEIGHT | 6kg |
| CLASS I / II / III | Class I | SHADE MATERIAL | Glass |

Product Description

Smoke glass pendant

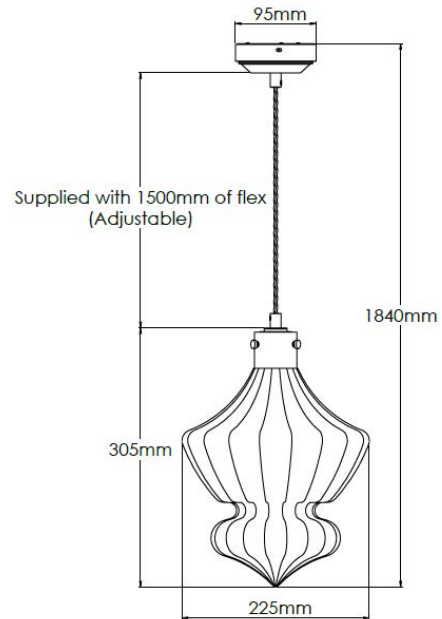


Technical Specification

| | | | |
|---------------------------|---------------------------------|---------------------------|--------|
| MATERIAL | Brass / Glass | IP Rating | IP20 |
| FINISH | Oiled Bronze M6/OBZ | HEIGHT | 1840mm |
| LAMPHOLDER TYPE | E27 x 1 | WIDTH | 225mm |
| RECOMMENDED LAMP | Tube | DEPTH/PROJECTION | 225mm |
| MAX WATTAGE | 4W | BACK/CEILING PLATE | 95mm |
| CERTIFICATIONS | UKCA CE, UL | BASE DIAMETER | N/A |
| DIMMABLE | Mains - If lamps are compatible | WEIGHT SHADE | 6kg |
| CLASS I / II / III | Class I | MATERIAL | Glass |

Product Description

Teal glass pendant



Technical Specification

| | | | |
|---------------------------|---------------------------------|---------------------------|--------|
| MATERIAL | Brass / Glass | IP Rating | IP20 |
| FINISH | Oiled Bronze M6/OBZ | HEIGHT | 1840mm |
| LAMPHOLDER TYPE | E27 x 1 | WIDTH | 225mm |
| RECOMMENDED LAMP | Tube | DEPTH/PROJECTION | 225mm |
| MAX WATTAGE | 12W | BACK/CEILING PLATE | 95mm |
| CERTIFICATIONS | UKCA CE, UL | BASE DIAMETER | N/A |
| DIMMABLE | Mains - If lamps are compatible | WEIGHT | 6kg |
| CLASS I / II / III | Class I | SHADE MATERIAL | Glass |