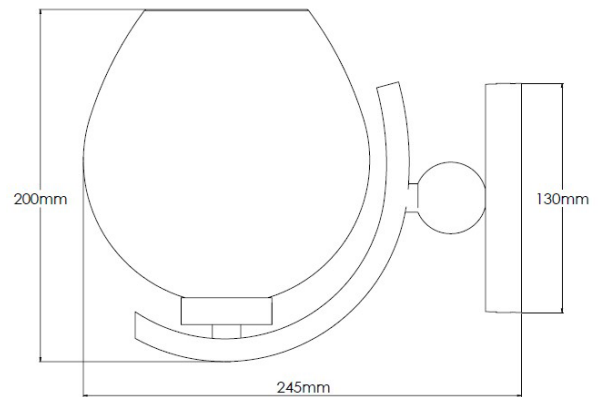


## Product Description

Wall light with alabaster shade and curved metal detailing



## Technical Specification

<b>MATERIAL</b>	Mild Steel / Alabaster	<b>IP Rating</b>	IP20
<b>FINISH</b>	Medium Antique P2/MAQ	<b>HEIGHT</b>	200mm
<b>LAMPHOLDER TYPE</b>	SES x 1	<b>WIDTH</b>	160mm
<b>RECOMMENDED LAMP</b>	Candle	<b>DEPTH/PROJECTION</b>	245mm
<b>MAX WATTAGE</b>	8W	<b>BACK/CEILING PLATE</b>	130mm
<b>CERTIFICATIONS</b>	UKCA CE	<b>BASE DIAMETER</b>	N/A
<b>DIMMABLE</b>	Mains - If lamps are compatible	<b>WEIGHT</b>	3kg
<b>CLASS I / II / III</b>	Class I	<b>SHADE MATERIAL</b>	Alabaster