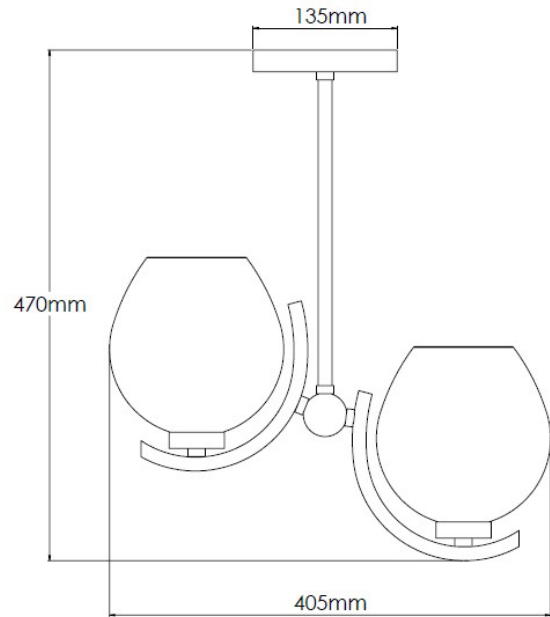


Product Description

2-arm pendant with alabaster shades and mild steel body



Technical Specification

MATERIAL	Mild Steel / Alabaster	IP Rating	IP20
FINISH	Medium Antique P2/MAQ	HEIGHT	470mm
LAMPHOLDER TYPE	SES x 2	WIDTH	405mm
RECOMMENDED LAMP	Candle	DEPTH/PROJECTION	160mm
MAX WATTAGE	16W	BACK/CEILING PLATE	135mm
CERTIFICATIONS	UKCA CE	BASE DIAMETER	N/A
DIMMABLE	Mains - If lamps are compatible	WEIGHT	5kg
CLASS I / II / III	Class I	SHADE MATERIAL	Alabaster