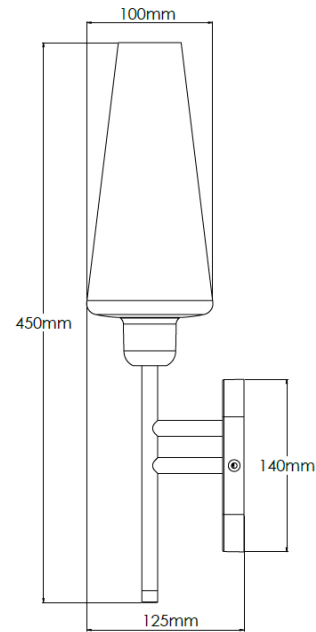


Product Description

Brass wall light with alabaster shade

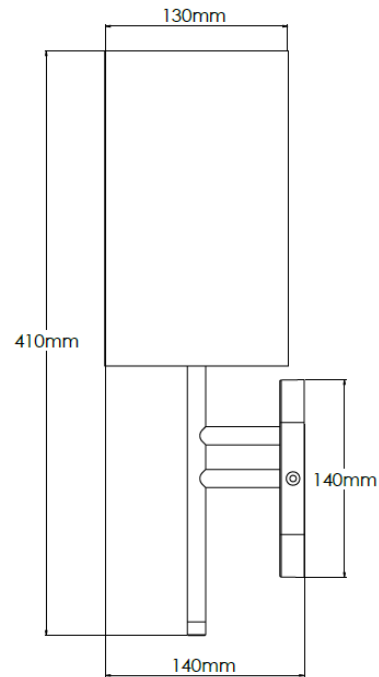


Technical Specification

MATERIAL	Brass / Alabaster	IP Rating	IP20
FINISH	Rich Bronze M6/RBZ	HEIGHT	450mm
LAMPHOLDER TYPE	SES x 1	WIDTH	100mm
RECOMMENDED LAMP	Candle < 28mm Dia.	DEPTH/PROJECTION	125mm
MAX WATTAGE	4W	BACK/CEILING PLATE	140x60mm
CERTIFICATIONS	UKCA CE, UL	BASE DIAMETER	N/A
DIMMABLE	Mains - If lamps are compatible	WEIGHT	3kg
CLASS I / II / III	Class I	SHADE MATERIAL	Alabaster

Product Description

Brass wall light with fabric shade



Technical Specification

MATERIAL	Brass / Fabric	IP Rating	IP20
FINISH	Rich Bronze M6/RBZ	HEIGHT	410mm
LAMPHOLDER TYPE	SES x 1	WIDTH	130mm
RECOMMENDED LAMP	Candle	DEPTH/PROJECTION	140mm
MAX WATTAGE	12W	BACK/CEILING PLATE	140x60mm
CERTIFICATIONS	UKCA CE, UL	BASE DIAMETER	N/A
DIMMABLE	Mains - If lamps are compatible	WEIGHT	2kg
CLASS I / II / III	Class I	SHADE MATERIAL	Fabric