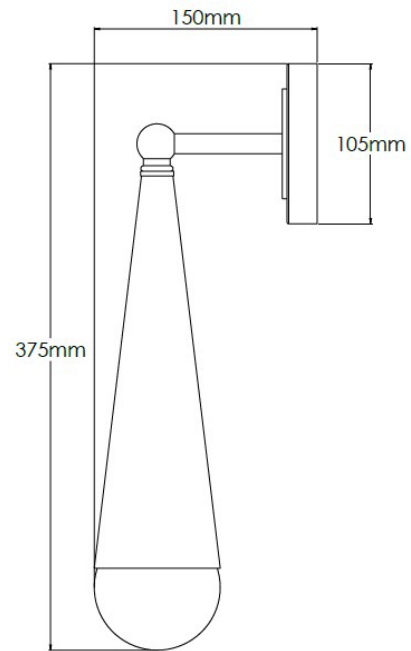


Product Description

Medium brass wall light with opal glass globe

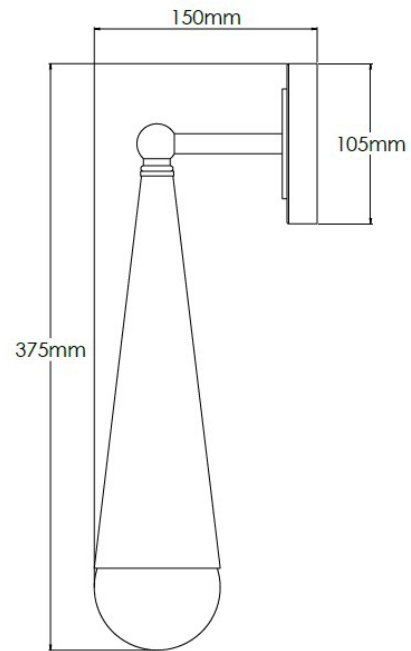


Technical Specification

MATERIAL	Brass / Glass	IP Rating	IP20
FINISH	Oiled Bronze M6/OBZ	HEIGHT	375mm
LAMPHOLDER TYPE	Large G9 x 1	WIDTH	105mm
RECOMMENDED LAMP	G9	DEPTH/PROJECTION	150mm
MAX WATTAGE	3W	BACK/CEILING PLATE	105mm
CERTIFICATIONS	UKCA CE	BASE DIAMETER	N/A
DIMMABLE	Mains - If lamps are compatible	WEIGHT	1.5kg
CLASS I / II / III	Class I	SHADE MATERIAL	Glass

Product Description

Medium brass wall light with opal glass globe

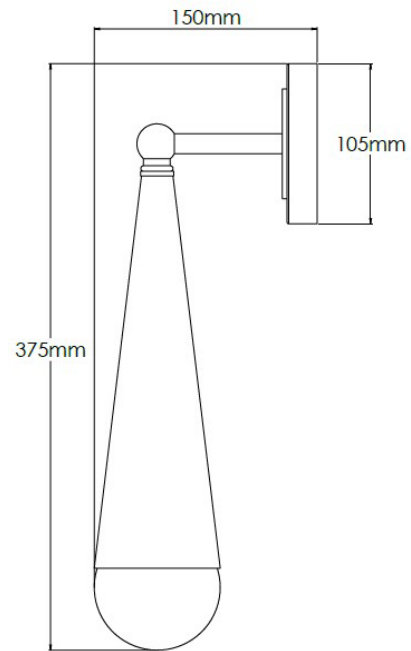


Technical Specification

MATERIAL	Brass / Glass	IP Rating	IP20
FINISH	Old English Light M6/OEBL	HEIGHT	375mm
LAMPHOLDER TYPE	Large G9 x 1	WIDTH	105mm
RECOMMENDED LAMP	G9	DEPTH/PROJECTION	150mm
MAX WATTAGE	3W	BACK/CEILING PLATE	105mm
CERTIFICATIONS	UKCA CE	BASE DIAMETER	N/A
DIMMABLE	Mains - If lamps are compatible	WEIGHT	1.5kg
CLASS I / II / III	Class I	SHADE MATERIAL	Glass

Product Description

Medium brass wall light with opal glass globe



Technical Specification

MATERIAL	Brass / Glass	IP Rating	IP20
FINISH	Pale Brass M6/PLB	HEIGHT	375mm
LAMPHOLDER TYPE	Large G9 x 1	WIDTH	105mm
RECOMMENDED LAMP	G9	DEPTH/PROJECTION	150mm
MAX WATTAGE	3W	BACK/CEILING PLATE	105mm
CERTIFICATIONS	UKCA CE	BASE DIAMETER	N/A
DIMMABLE	Mains - If lamps are compatible	WEIGHT	1.5kg
CLASS I / II / III	Class I	SHADE MATERIAL	Glass