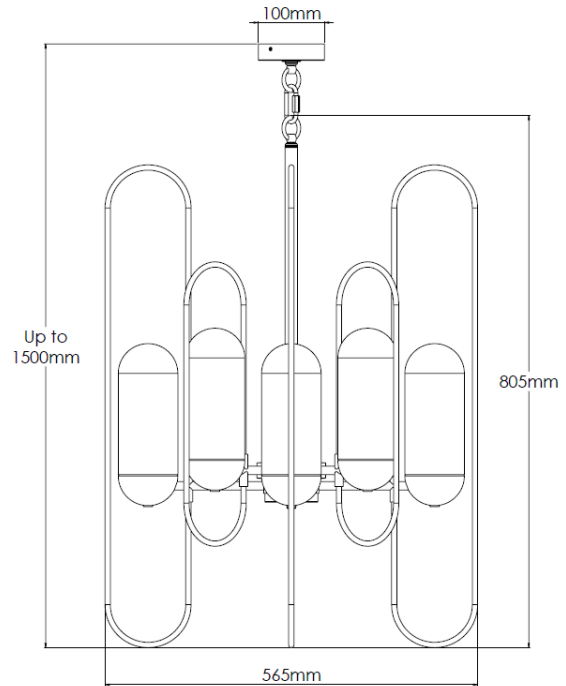


## Product Description

Brushed brass chandelier with clear reeded glass shades

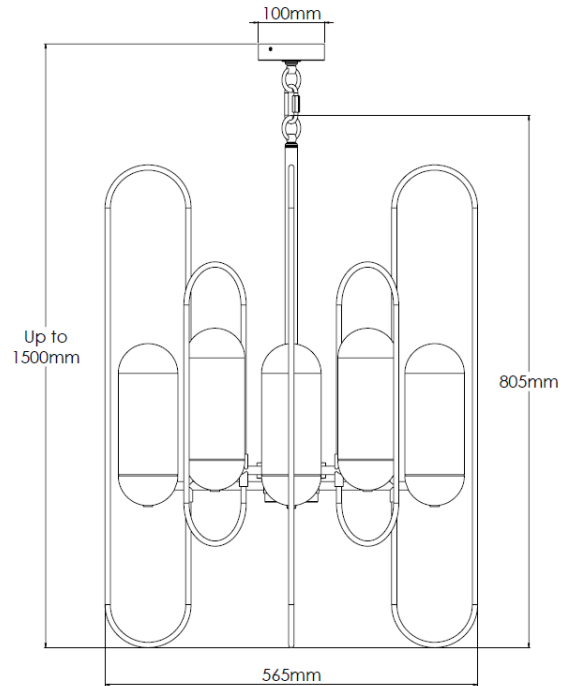


## Technical Specification

|                           |                                 |                           |                   |
|---------------------------|---------------------------------|---------------------------|-------------------|
| <b>MATERIAL</b>           | Brass / Glass                   | <b>IP Rating</b>          | IP20              |
| <b>FINISH</b>             | Brushed Brass M3/BBR            | <b>HEIGHT</b>             | 805mm (body only) |
| <b>LAMPHOLDER TYPE</b>    | SES x 8                         | <b>WIDTH</b>              | 565mm             |
| <b>RECOMMENDED LAMP</b>   | T25                             | <b>DEPTH/PROJECTION</b>   | 565mm             |
| <b>MAX WATTAGE</b>        | 32W                             | <b>BACK/CEILING PLATE</b> | 100mm             |
| <b>CERTIFICATIONS</b>     | UKCA CE                         | <b>BASE DIAMETER</b>      | N/A               |
| <b>DIMMABLE</b>           | Mains - If lamps are compatible | <b>WEIGHT</b>             | 17kg              |
| <b>CLASS I / II / III</b> | Class I                         | <b>SHADE MATERIAL</b>     | Glass             |

## Product Description

Dark brass chandelier with clear reeded glass shades



## Technical Specification

|                           |                                 |                           |                   |
|---------------------------|---------------------------------|---------------------------|-------------------|
| <b>MATERIAL</b>           | Brass / Glass                   | <b>IP Rating</b>          | IP20              |
| <b>FINISH</b>             | Old English Dark M6/OEBD        | <b>HEIGHT</b>             | 805mm (body only) |
| <b>LAMPHOLDER TYPE</b>    | SES x 8                         | <b>WIDTH</b>              | 565mm             |
| <b>RECOMMENDED LAMP</b>   | T25                             | <b>DEPTH/PROJECTION</b>   | 565mm             |
| <b>MAX WATTAGE</b>        | 32W                             | <b>BACK/CEILING PLATE</b> | 100mm             |
| <b>CERTIFICATIONS</b>     | UKCA CE                         | <b>BASE DIAMETER</b>      | N/A               |
| <b>DIMMABLE</b>           | Mains - If lamps are compatible | <b>WEIGHT</b>             | 17kg              |
| <b>CLASS I / II / III</b> | Class I                         | <b>SHADE MATERIAL</b>     | Glass             |