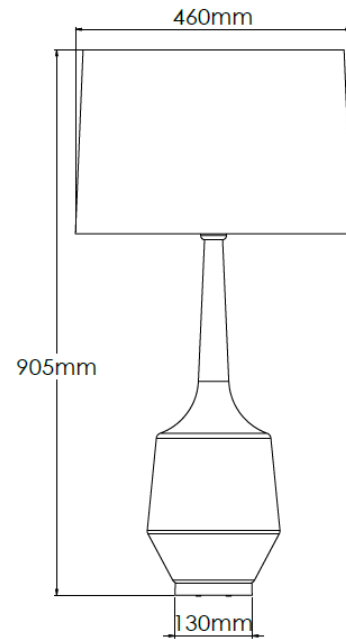


Product Description

Midnight ceramic table lamp with brass base and helsinki connaught fabric shade

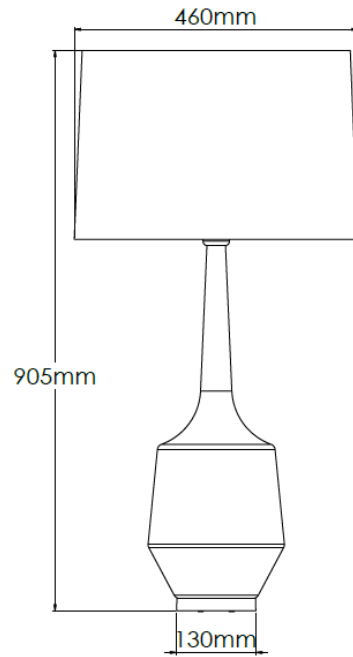


Technical Specification

MATERIAL	Ceramic	IP Rating	IP20
FINISH	Midnight	HEIGHT	905mm
LAMPHOLDER TYPE	E27 x 1	WIDTH	460mm
RECOMMENDED LAMP	GLS	DEPTH/PROJECTION	460mm
MAX WATTAGE	12W	BACK/CEILING PLATE	N/A
CERTIFICATIONS	UKCA CE	BASE DIAMETER	130mm
DIMMABLE	Mains - If lamps are compatible	WEIGHT	10kg
CLASS I / II / III	Class I	SHADE MATERIAL	Fabric

Product Description

Stone ceramic table lamp with brass base and helsinki connaught fabric shade

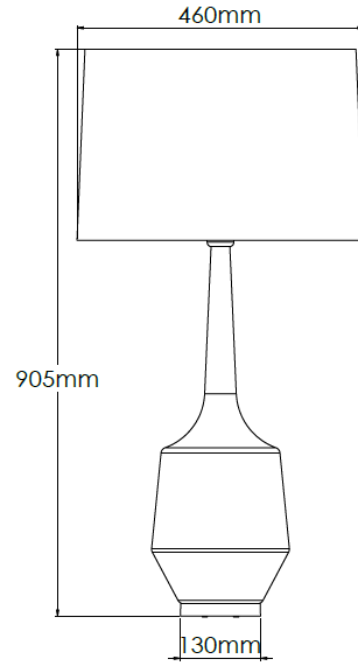


Technical Specification

MATERIAL	Ceramic	IP Rating	IP20
FINISH	Stone	HEIGHT	905mm
LAMPHOLDER TYPE	E27 x 1	WIDTH	460mm
RECOMMENDED LAMP	GLS	DEPTH/PROJECTION	460mm
MAX WATTAGE	12W	BACK/CEILING PLATE	N/A
CERTIFICATIONS	UKCA CE	BASE DIAMETER	130mm
DIMMABLE	Mains - If lamps are compatible	WEIGHT	10kg
CLASS I / II / III	Class I	SHADE MATERIAL	Fabric

Product Description

Tobacco ceramic table lamp with brass base and helsinki connaught fabric shade



Technical Specification

MATERIAL	Ceramic	IP Rating	IP20
FINISH	Tobacco	HEIGHT	905mm
LAMPHOLDER TYPE	E27 x 1	WIDTH	460mm
RECOMMENDED LAMP	GLS	DEPTH/PROJECTION	460mm
MAX WATTAGE	12W	BACK/CEILING PLATE	N/A
CERTIFICATIONS	UKCA CE	BASE DIAMETER	130mm
DIMMABLE	Mains - If lamps are compatible	WEIGHT	10kg
CLASS I / II / III	Class I	SHADE MATERIAL	Fabric