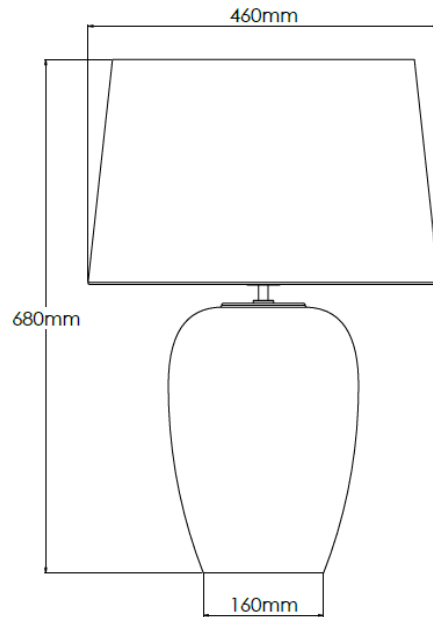


## Product Description

Ceramic table lamp with sloped, fabric shade

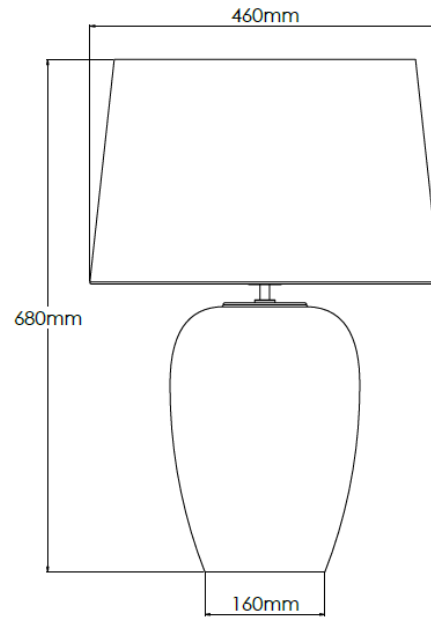


## Technical Specification

|                           |                                 |                           |        |
|---------------------------|---------------------------------|---------------------------|--------|
| <b>MATERIAL</b>           | Ceramic / Fabric                | <b>IP Rating</b>          | IP20   |
| <b>FINISH</b>             | Turquoise                       | <b>HEIGHT</b>             | 680mm  |
| <b>LAMPHOLDER TYPE</b>    | E27 x 1                         | <b>WIDTH</b>              | 460mm  |
| <b>RECOMMENDED LAMP</b>   | GLS                             | <b>DEPTH/PROJECTION</b>   | 460mm  |
| <b>MAX WATTAGE</b>        | 12W                             | <b>BACK/CEILING PLATE</b> | N/A    |
| <b>CERTIFICATIONS</b>     | UKCA CE                         | <b>BASE DIAMETER</b>      | 160mm  |
| <b>DIMMABLE</b>           | Mains - If lamps are compatible | <b>WEIGHT</b>             | 3kg    |
| <b>CLASS I / II / III</b> | Class I                         | <b>SHADE MATERIAL</b>     | Fabric |

## Product Description

Ceramic table lamp with sloped, fabric shade



## Technical Specification

|                           |                                 |                           |        |
|---------------------------|---------------------------------|---------------------------|--------|
| <b>MATERIAL</b>           | Ceramic / Fabric                | <b>IP Rating</b>          | IP20   |
| <b>FINISH</b>             | White                           | <b>HEIGHT</b>             | 680mm  |
| <b>LAMPHOLDER TYPE</b>    | E27 x 1                         | <b>WIDTH</b>              | 460mm  |
| <b>RECOMMENDED LAMP</b>   | GLS                             | <b>DEPTH/PROJECTION</b>   | 460mm  |
| <b>MAX WATTAGE</b>        | 12W                             | <b>BACK/CEILING PLATE</b> | N/A    |
| <b>CERTIFICATIONS</b>     | UKCA CE                         | <b>BASE DIAMETER</b>      | 160mm  |
| <b>DIMMABLE</b>           | Mains - If lamps are compatible | <b>WEIGHT</b>             | 3kg    |
| <b>CLASS I / II / III</b> | Class I                         | <b>SHADE MATERIAL</b>     | Fabric |