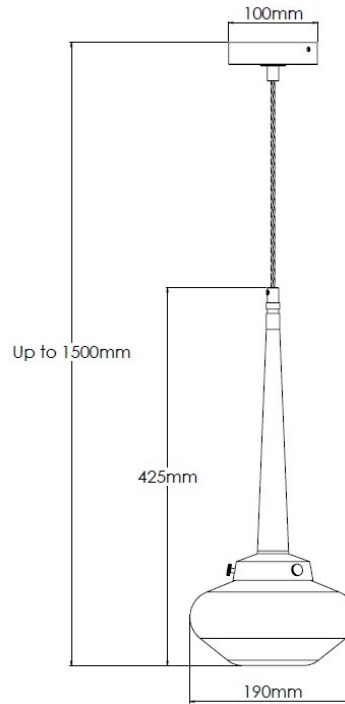


## Product Description

Medium glass pendant with light brass and oiled broze suspension

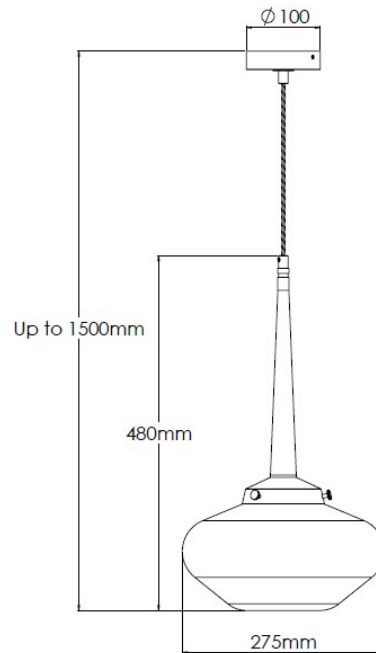


## Technical Specification

|                           |                                   |                           |                   |
|---------------------------|-----------------------------------|---------------------------|-------------------|
| <b>MATERIAL</b>           | Brass / Glass                     | <b>IP Rating</b>          | IP20              |
| <b>FINISH</b>             | Old English Brass Light - M6/OEBL | <b>HEIGHT</b>             | 425mm (body only) |
| <b>LAMPHOLDER TYPE</b>    | E27                               | <b>WIDTH</b>              | 190mm             |
| <b>RECOMMENDED LAMP</b>   | A60/GLS                           | <b>DEPTH/PROJECTION</b>   | 190mm             |
| <b>MAX WATTAGE</b>        | 4W                                | <b>BACK/CEILING PLATE</b> | 100mm             |
| <b>CERTIFICATIONS</b>     | UKCA CE                           | <b>BASE DIAMETER</b>      | N/A               |
| <b>DIMMABLE</b>           | Mains - If lamps are compatible   | <b>WEIGHT</b>             | 3kg               |
| <b>CLASS I / II / III</b> | Class I                           | <b>SHADE MATERIAL</b>     | Glass             |

## Product Description

Large glass pendant with light brass and oiled bronze suspension



## Technical Specification

|                           |                                   |                           |                   |
|---------------------------|-----------------------------------|---------------------------|-------------------|
| <b>MATERIAL</b>           | Brass / Glass                     | <b>IP Rating</b>          | IP20              |
| <b>FINISH</b>             | Old English Brass Light - M6/OEBL | <b>HEIGHT</b>             | 480mm (body only) |
| <b>LAMPHOLDER TYPE</b>    | E27                               | <b>WIDTH</b>              | 275mm             |
| <b>RECOMMENDED LAMP</b>   | A60/GLS                           | <b>DEPTH/PROJECTION</b>   | 275mm             |
| <b>MAX WATTAGE</b>        | 4W                                | <b>BACK/CEILING PLATE</b> | 100mm             |
| <b>CERTIFICATIONS</b>     | UKCA CE                           | <b>BASE DIAMETER</b>      | N/A               |
| <b>DIMMABLE</b>           | Mains - If lamps are compatible   | <b>WEIGHT</b>             | 3kg               |
| <b>CLASS I / II / III</b> | Class I                           | <b>SHADE MATERIAL</b>     | Glass             |