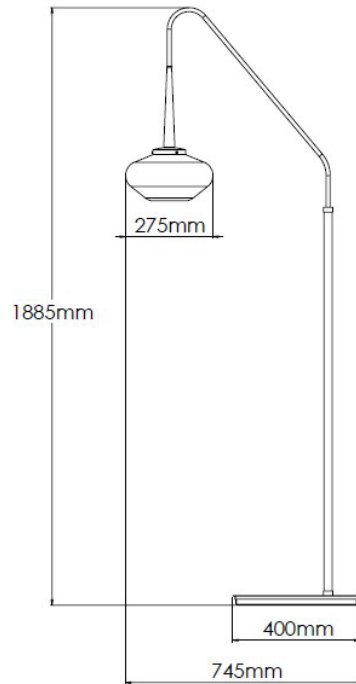


Product Description

Floor lamp with a matt opal glass shade



Technical Specification

MATERIAL	Brass / Mild Steel / Glass	IP Rating	IP20
FINISH	Old English Light M6/OEBL	HEIGHT	1885mm
LAMPHOLDER TYPE	E27	WIDTH	275mm
RECOMMENDED LAMP	GLS	DEPTH/PROJECTION	745mm
MAX WATTAGE	4W	BACK/CEILING PLATE	N/A
CERTIFICATIONS	UKCA CE	BASE DIAMETER	400x270mm
DIMMABLE	Mains - If lamps are compatible	WEIGHT	15kg
CLASS I / II / III	Class I	SHADE MATERIAL	Glass