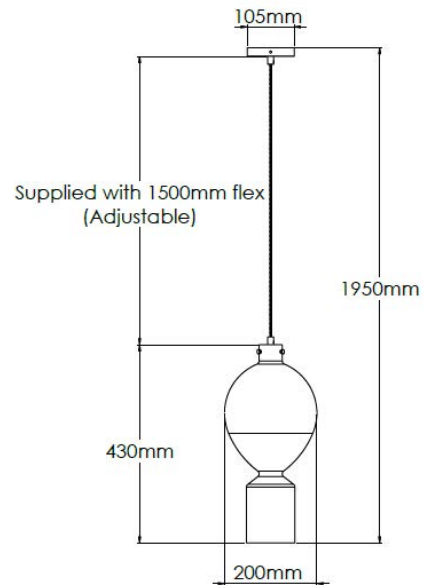


## Product Description

Hand blown amber glass pendant with clear reeded glass base

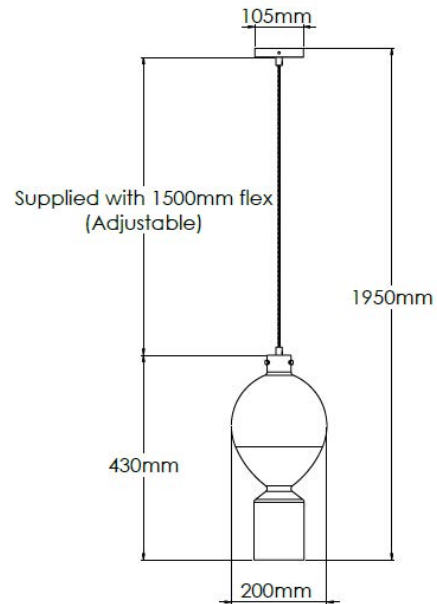


## Technical Specification

|                           |                                 |                           |        |
|---------------------------|---------------------------------|---------------------------|--------|
| <b>MATERIAL</b>           | Brass / Glass                   | <b>IP Rating</b>          | IP20   |
| <b>FINISH</b>             | Rich Bronze M6/RBZ              | <b>HEIGHT</b>             | 1950mm |
| <b>LAMPHOLDER TYPE</b>    | E27 x 1                         | <b>WIDTH</b>              | 200mm  |
| <b>RECOMMENDED LAMP</b>   | T20 (mini tube filament)        | <b>DEPTH/PROJECTION</b>   | 200mm  |
| <b>MAX WATTAGE</b>        | 4W                              | <b>BACK/CEILING PLATE</b> | 105mm  |
| <b>CERTIFICATIONS</b>     | UKCA CE, UL                     | <b>BASE DIAMETER</b>      | N/A    |
| <b>DIMMABLE</b>           | Mains - If lamps are compatible | <b>WEIGHT</b>             | 3kg    |
| <b>CLASS I / II / III</b> | Class I                         | <b>SHADE MATERIAL</b>     | Glass  |

## Product Description

Hand blown grey smoke glass pendant with clear reeded glass base

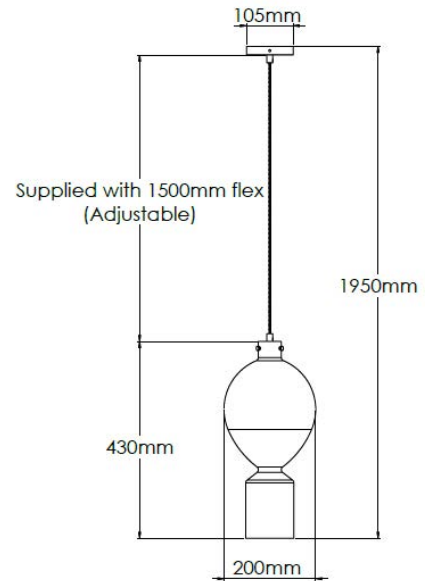


## Technical Specification

|                           |                                 |                           |        |
|---------------------------|---------------------------------|---------------------------|--------|
| <b>MATERIAL</b>           | Brass / Glass                   | <b>IP Rating</b>          | IP20   |
| <b>FINISH</b>             | Rich Bronze M6/RBZ              | <b>HEIGHT</b>             | 1950mm |
| <b>LAMPHOLDER TYPE</b>    | E27 x 1                         | <b>WIDTH</b>              | 200mm  |
| <b>RECOMMENDED LAMP</b>   | T20 (mini tube filament)        | <b>DEPTH/PROJECTION</b>   | 200mm  |
| <b>MAX WATTAGE</b>        | 4W                              | <b>BACK/CEILING PLATE</b> | 105mm  |
| <b>CERTIFICATIONS</b>     | UKCA CE, UL                     | <b>BASE DIAMETER</b>      | N/A    |
| <b>DIMMABLE</b>           | Mains - If lamps are compatible | <b>WEIGHT</b>             | 3kg    |
| <b>CLASS I / II / III</b> | Class I                         | <b>SHADE MATERIAL</b>     | Glass  |

## Product Description

Hand blown teal glass pendant with clear reeded glass base



## Technical Specification

|                           |                                 |                           |        |
|---------------------------|---------------------------------|---------------------------|--------|
| <b>MATERIAL</b>           | Brass / Glass                   | <b>IP Rating</b>          | IP20   |
| <b>FINISH</b>             | Rich Bronze M6/RBZ              | <b>HEIGHT</b>             | 1950mm |
| <b>LAMPHOLDER TYPE</b>    | E27 x 1                         | <b>WIDTH</b>              | 200mm  |
| <b>RECOMMENDED LAMP</b>   | T20 (mini tube filament)        | <b>DEPTH/PROJECTION</b>   | 200mm  |
| <b>MAX WATTAGE</b>        | 4W                              | <b>BACK/CEILING PLATE</b> | 105mm  |
| <b>CERTIFICATIONS</b>     | UKCA CE, UL                     | <b>BASE DIAMETER</b>      | N/A    |
| <b>DIMMABLE</b>           | Mains - If lamps are compatible | <b>WEIGHT</b>             | 3kg    |
| <b>CLASS I / II / III</b> | Class I                         | <b>SHADE MATERIAL</b>     | Glass  |