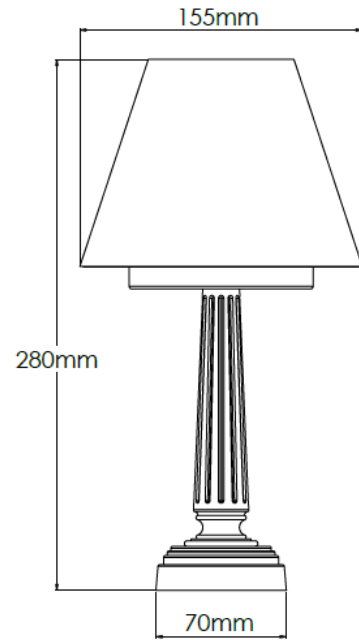


## Product Description

Brass rechargeable table lamp with 6" cotton ivory pleated shade

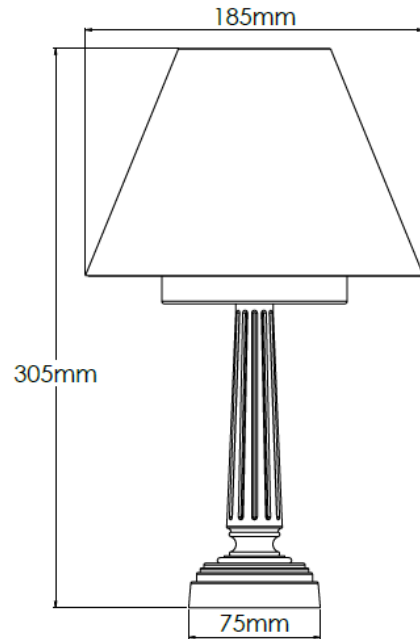


## Technical Specification

|                           |                          |                           |        |
|---------------------------|--------------------------|---------------------------|--------|
| <b>MATERIAL</b>           | Brass                    | <b>IP Rating</b>          | IP20   |
| <b>FINISH</b>             | Old English Dark M6/OEBD | <b>HEIGHT</b>             | 290mm  |
| <b>LAMPHOLDER TYPE</b>    | Rechargeable             | <b>WIDTH</b>              | 155mm  |
| <b>RECOMMENDED LAMP</b>   | Smart Lamp SC5482        | <b>DEPTH/PROJECTION</b>   | 155mm  |
| <b>MAX WATTAGE</b>        | N/A                      | <b>BACK/CEILING PLATE</b> | N/A    |
| <b>CERTIFICATIONS</b>     | UKCA CE                  | <b>BASE DIAMETER</b>      | 75mm   |
| <b>DIMMABLE</b>           | N/A                      | <b>WEIGHT</b>             | 2kg    |
| <b>CLASS I / II / III</b> | N/A                      | <b>SHADE MATERIAL</b>     | Fabric |

## Product Description

Brass rechargeable table lamp with 7" cotton ivory pleated shade

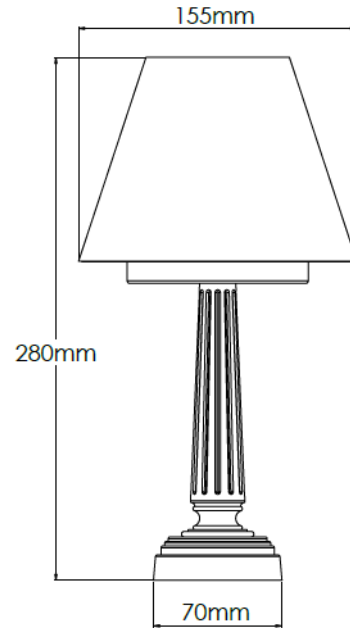


## Technical Specification

|                           |                          |                           |        |
|---------------------------|--------------------------|---------------------------|--------|
| <b>MATERIAL</b>           | Brass                    | <b>IP Rating</b>          | IP20   |
| <b>FINISH</b>             | Old English Dark M6/OEBD | <b>HEIGHT</b>             | 305mm  |
| <b>LAMPHOLDER TYPE</b>    | Rechargeable             | <b>WIDTH</b>              | 185mm  |
| <b>RECOMMENDED LAMP</b>   | Smart Lamp SC5482        | <b>DEPTH/PROJECTION</b>   | 185mm  |
| <b>MAX WATTAGE</b>        | N/A                      | <b>BACK/CEILING PLATE</b> | N/A    |
| <b>CERTIFICATIONS</b>     | UKCA CE                  | <b>BASE DIAMETER</b>      | 75mm   |
| <b>DIMMABLE</b>           | N/A                      | <b>WEIGHT</b>             | 2kg    |
| <b>CLASS I / II / III</b> | N/A                      | <b>SHADE MATERIAL</b>     | Fabric |

## Product Description

Brass rechargeable table lamp with 6" snowdrift shade

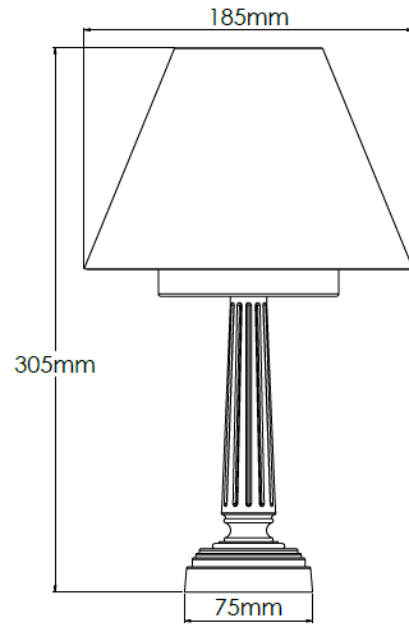


## Technical Specification

|                           |                          |                           |        |
|---------------------------|--------------------------|---------------------------|--------|
| <b>MATERIAL</b>           | Brass                    | <b>IP Rating</b>          | IP20   |
| <b>FINISH</b>             | Old English Dark M6/OEBD | <b>HEIGHT</b>             | 290mm  |
| <b>LAMPHOLDER TYPE</b>    | Rechargeable             | <b>WIDTH</b>              | 155mm  |
| <b>RECOMMENDED LAMP</b>   | Smart Lamp SC5482        | <b>DEPTH/PROJECTION</b>   | 155mm  |
| <b>MAX WATTAGE</b>        | N/A                      | <b>BACK/CEILING PLATE</b> | N/A    |
| <b>CERTIFICATIONS</b>     | UKCA CE                  | <b>BASE DIAMETER</b>      | 75mm   |
| <b>DIMMABLE</b>           | N/A                      | <b>WEIGHT</b>             | 2kg    |
| <b>CLASS I / II / III</b> | N/A                      | <b>SHADE MATERIAL</b>     | Fabric |

## Product Description

Brass rechargeable table lamp with 7" snowdrift shade



## Technical Specification

|                           |                          |                           |        |
|---------------------------|--------------------------|---------------------------|--------|
| <b>MATERIAL</b>           | Brass                    | <b>IP Rating</b>          | IP20   |
| <b>FINISH</b>             | Old English Dark M6/OEBD | <b>HEIGHT</b>             | 305mm  |
| <b>LAMPHOLDER TYPE</b>    | Rechargeable             | <b>WIDTH</b>              | 185mm  |
| <b>RECOMMENDED LAMP</b>   | Smart Lamp SC5482        | <b>DEPTH/PROJECTION</b>   | 185mm  |
| <b>MAX WATTAGE</b>        | N/A                      | <b>BACK/CEILING PLATE</b> | N/A    |
| <b>CERTIFICATIONS</b>     | UKCA CE                  | <b>BASE DIAMETER</b>      | 75mm   |
| <b>DIMMABLE</b>           | N/A                      | <b>WEIGHT</b>             | 2kg    |
| <b>CLASS I / II / III</b> | N/A                      | <b>SHADE MATERIAL</b>     | Fabric |