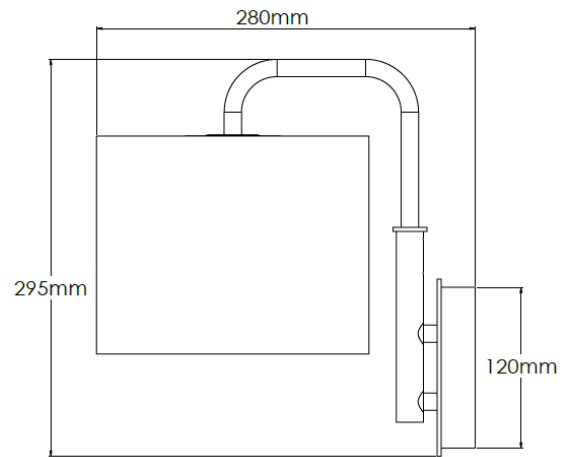


Product Description

Wall lamp with polished steel and roman bronze finish



Technical Specification

MATERIAL	Steel	IP Rating	IP20
FINISH	Roman Bronze P1/RMBZ	HEIGHT	295mm
LAMPHOLDER TYPE	E27 x 1	WIDTH	200mm
RECOMMENDED LAMP	GLS	DEPTH/PROJECTION	280mm
MAX WATTAGE	12W	BACK/CEILING PLATE	120mm
CERTIFICATIONS	UKCA CE, UL	BASE DIAMETER	N/A
DIMMABLE	Mains - If lamps are compatible	WEIGHT	4kg
CLASS I / II / III	Class I	SHADE MATERIAL	Fabric