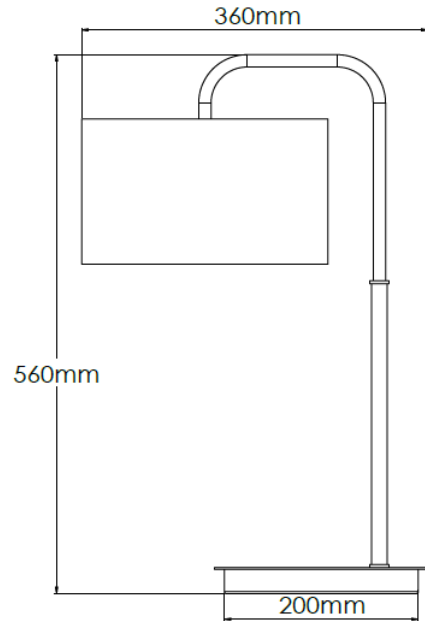


Product Description

Table lamp with polished steel and roman bronze finish



Technical Specification

MATERIAL	Steel	IP Rating	IP20
FINISH	Roman Bronze P1/RMBZ	HEIGHT	560mm
LAMPHOLDER TYPE	E27 x 1	WIDTH	360mm
RECOMMENDED LAMP	GLS	DEPTH/PROJECTION	360mm
MAX WATTAGE	12W	BACK/CEILING PLATE	N/A
CERTIFICATIONS	UKCA CE, UL	BASE DIAMETER	200mm
DIMMABLE	Mains - If lamps are compatible	WEIGHT	10kg
CLASS I / II / III	Class I	SHADE MATERIAL	Fabric