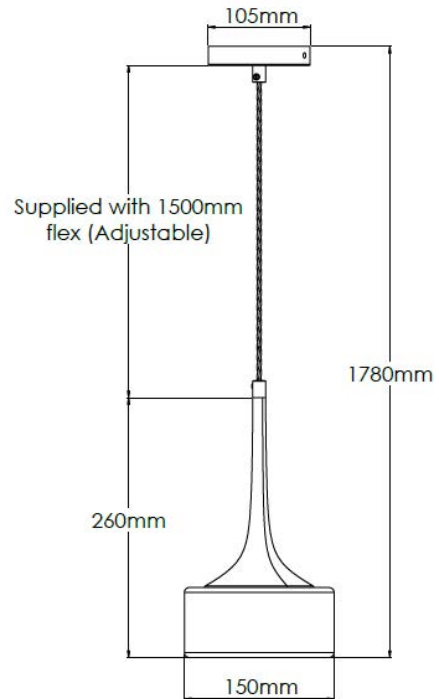


Product Description

Brass pendant with fluted brass body and opal glass drum shade



Technical Specification

MATERIAL	Brass / Glass	IP Rating	IP20
FINISH	Brushed Brass M3/BBR	HEIGHT	1780mm
LAMPHOLDER TYPE	Large G9 x 1	WIDTH	150mm
RECOMMENDED LAMP	G9	DEPTH/PROJECTION	150mm
MAX WATTAGE	3W	BACK/CEILING PLATE	105mm
CERTIFICATIONS	UKCA CE	BASE DIAMETER	N/A
DIMMABLE	Mains - If lamps are compatible	WEIGHT	5kg
CLASS I / II / III	Class I	SHADE MATERIAL	Glass