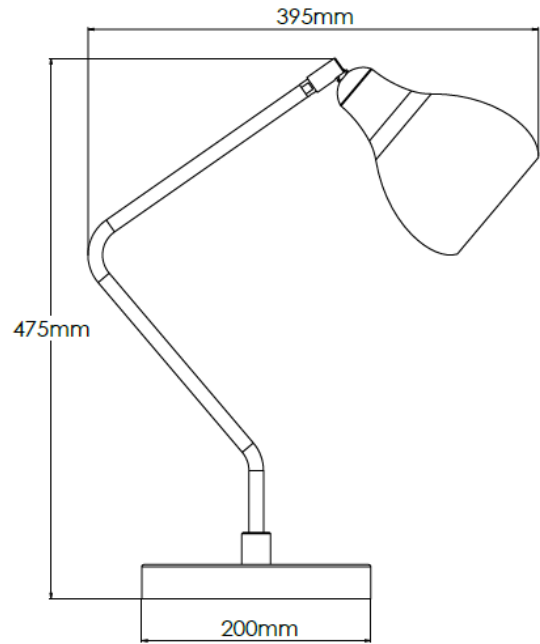


Product Description

Brass table lamp with marble base and white powder-coated shade



Technical Specification

MATERIAL	Brass / Aluminium / Marble	IP Rating	IP20
FINISH	RAL9010	HEIGHT	475mm
LAMPHOLDER TYPE	SES x 1	WIDTH	200mm
RECOMMENDED LAMP	Candle	DEPTH/PROJECTION	395mm
MAX WATTAGE	8W	BACK/CEILING PLATE	N/A
CERTIFICATIONS	UKCA CE	BASE DIAMETER	200mm
DIMMABLE	Mains - If lamps are compatible	WEIGHT	5kg
CLASS I / II / III	Class I	SHADE MATERIAL	Metal