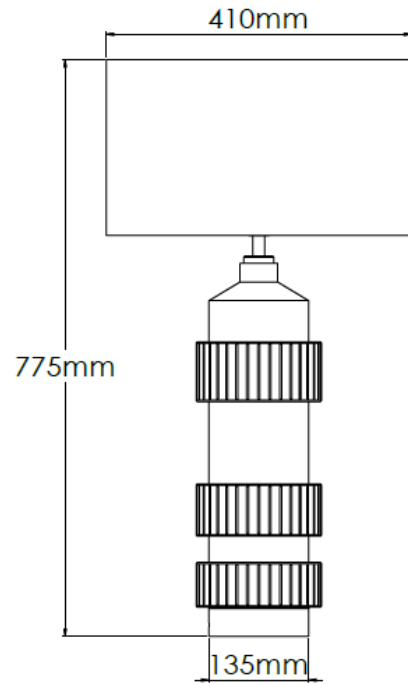


Product Description

Bornite ceramic table lamp with pearl grey fabric shade

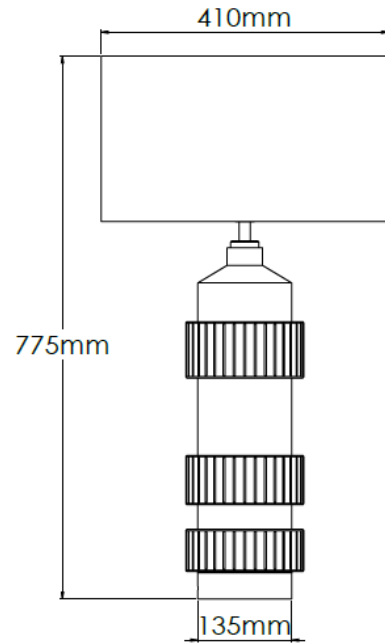


Technical Specification

MATERIAL	Ceramic / Brass	IP Rating	IP20
FINISH	Bornite	HEIGHT	775mm
LAMPHOLDER TYPE	E27 x 1	WIDTH	410mm
RECOMMENDED LAMP	GLS	DEPTH/PROJECTION	410mm
MAX WATTAGE	12W	BACK/CEILING PLATE	N/A
CERTIFICATIONS	UKCA CE, UL	BASE DIAMETER	135mm
DIMMABLE	Mains - If lamps are compatible	WEIGHT	10kg
CLASS I / II / III	Class I	SHADE MATERIAL	Fabric

Product Description

Bornite ceramic table lamp with pearl grey fabric shade



Technical Specification

MATERIAL	Ceramic / Brass	IP Rating	IP20
FINISH	Vulcanic	HEIGHT	775mm
LAMPHOLDER TYPE	E27 x 1	WIDTH	410mm
RECOMMENDED	GLS	DEPTH/PROJECTION	410mm
LAMP MAX WATTAGE	12W	BACK/CEILING PLATE	N/A
CERTIFICATIONS	UKCA CE, UL	BASE DIAMETER	135mm
DIMMABLE	Mains - If lamps are compatible	WEIGHT	10kg
CLASS I / II / III	Class I	SHADE MATERIAL	Fabric