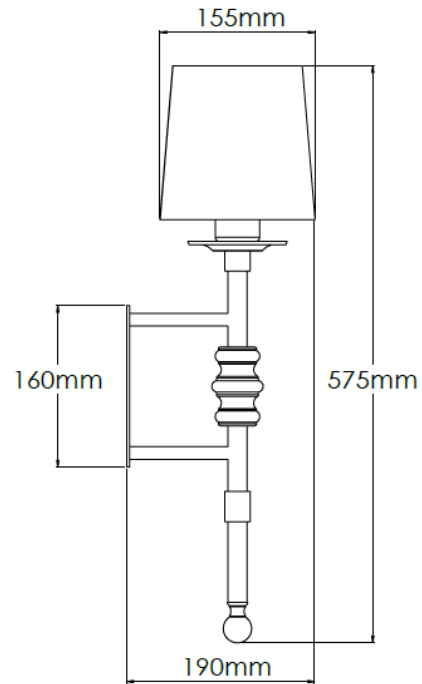


Product Description

A painted rust wall light complete with a tapered fabric shade



Technical Specification

MATERIAL	Mild steel	IP Rating	IP20
FINISH	Painted Rust	HEIGHT	575mm
LAMPHOLDER TYPE	E27 x 1	WIDTH	155mm
RECOMMENDED LAMP	GLS	DEPTH/PROJECTION	190mm
MAX WATTAGE	12W	BACK/CEILING PLATE	160 x 75mm
CERTIFICATIONS	UKCA CE	BASE DIAMETER	N/A
DIMMABLE	Mains - If lamps are compatible	WEIGHT	6kg
CLASS I / II / III	Class I	SHADE MATERIAL	Fabric