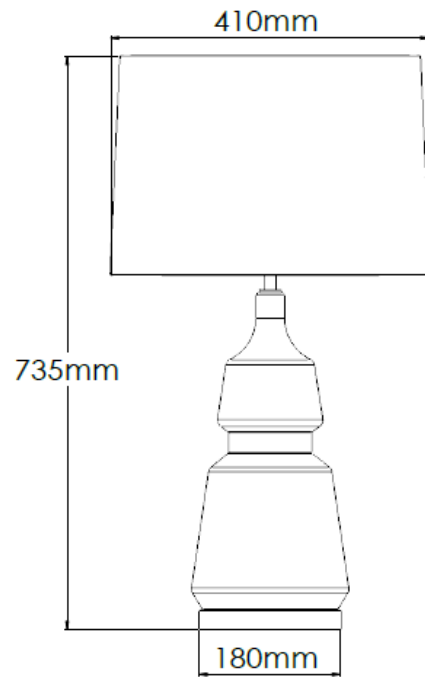


Product Description

Ivory ceramic table lamp with Flint soho shade

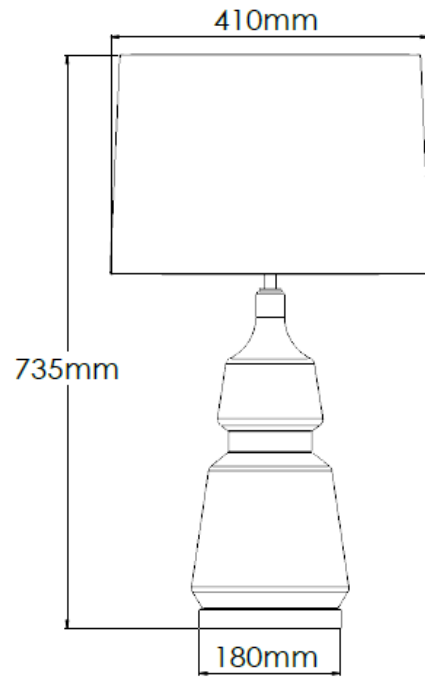


Technical Specification

MATERIAL	Ceramic / Brass	IP Rating	IP20
FINISH	Ivory	HEIGHT	735mm
LAMPHOLDER TYPE	E27 x 1	WIDTH	410mm
RECOMMENDED LAMP	GLS	DEPTH/PROJECTION	410mm
MAX WATTAGE	12W	BACK/CEILING PLATE	N/A
CERTIFICATIONS	UKCA CE	BASE DIAMETER	180mm
DIMMABLE	Mains - If lamps are compatible	WEIGHT	10kg
CLASS I / II / III	Class I	SHADE MATERIAL	Fabric

Product Description

Midnight teal ceramic table lamp with Saxon Ivory soho shade

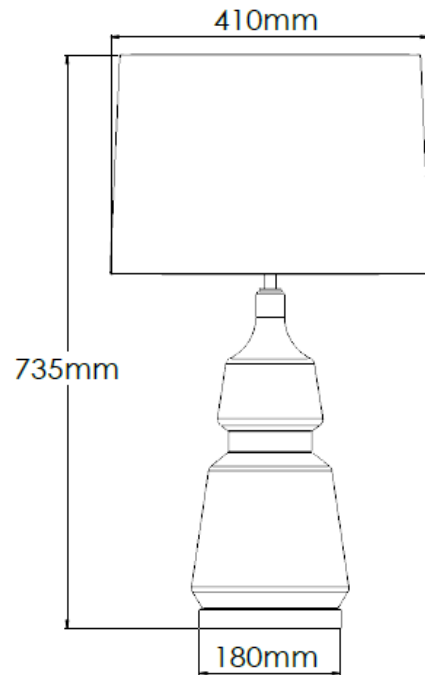


Technical Specification

MATERIAL	Ceramic / Brass	IP Rating	IP20
FINISH	Midnight	HEIGHT	735mm
LAMPHOLDER TYPE	E27 x 1	WIDTH	410mm
RECOMMENDED LAMP	GLS	DEPTH/PROJECTION	410mm
MAX WATTAGE	12W	BACK/CEILING PLATE	N/A
CERTIFICATIONS	UKCA CE	BASE DIAMETER	180mm
DIMMABLE	Mains - If lamps are compatible	WEIGHT	10kg
CLASS I / II / III	Class I	SHADE MATERIAL	Fabric

Product Description

Olive ceramic table lamp with Flint soho shade



Technical Specification

MATERIAL	Ceramic / Brass	IP Rating	IP20
FINISH	Olive	HEIGHT	735mm
LAMPHOLDER TYPE	E27 x 1	WIDTH	410mm
RECOMMENDED LAMP	GLS	DEPTH/PROJECTION	410mm
MAX WATTAGE	12W	BACK/CEILING PLATE	N/A
CERTIFICATIONS	UKCA CE	BASE DIAMETER	180mm
DIMMABLE	Mains - If lamps are compatible	WEIGHT	10kg
CLASS I / II / III	Class I	SHADE MATERIAL	Fabric