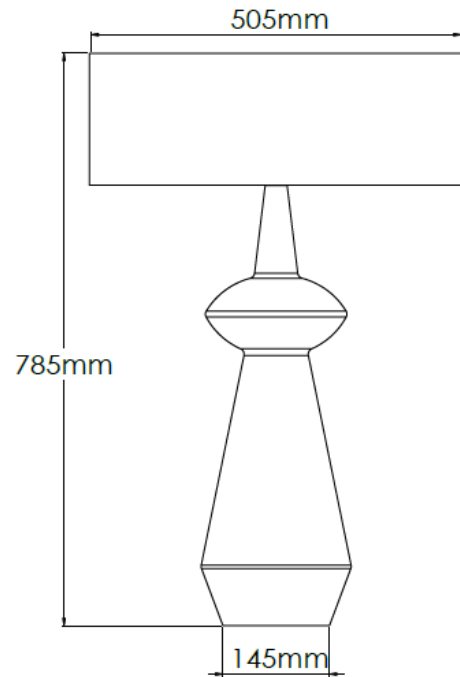


Product Description

Ammonite ceramic table lamp with 20" brown slim shade

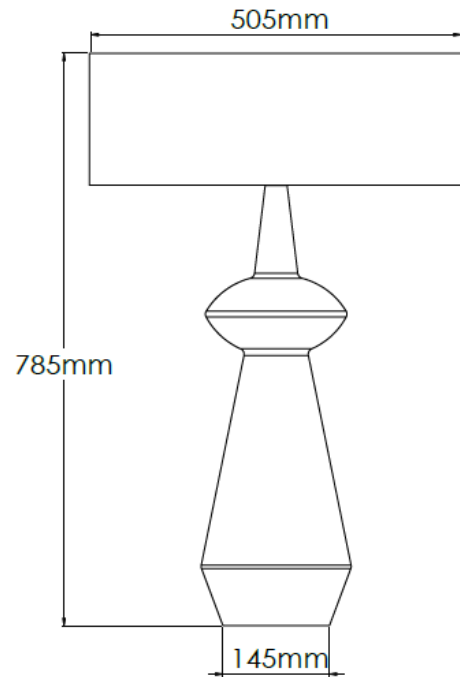


Technical Specification

MATERIAL	Ceramic / Brass	IP Rating	IP20
FINISH	Ammonite	HEIGHT	785mm
LAMPHOLDER TYPE	E27 x 1	WIDTH	505mm
RECOMMENDED LAMP	GLS	DEPTH/PROJECTION	505mm
MAX WATTAGE	12W	BACK/CEILING PLATE	N/A
CERTIFICATIONS	UKCA CE	BASE DIAMETER	145mm
DIMMABLE	Mains - If lamps are compatible	WEIGHT	10kg
CLASS I / II / III	Class I	SHADE MATERIAL	Fabric

Product Description

Tobacco ceramic table lamp with 20" black slim shade



Technical Specification

MATERIAL	Ceramic / Brass	IP Rating	IP20
FINISH	Tobacco	HEIGHT	785mm
LAMPHOLDER TYPE	E27 x 1	WIDTH	505mm
RECOMMENDED LAMP	GLS	DEPTH/PROJECTION	505mm
MAX WATTAGE	12W	BACK/CEILING PLATE	N/A
CERTIFICATIONS	UKCA CE	BASE DIAMETER	145mm
DIMMABLE	Mains - If lamps are compatible	WEIGHT	10kg
CLASS I / II / III	Class I	SHADE MATERIAL	Fabric