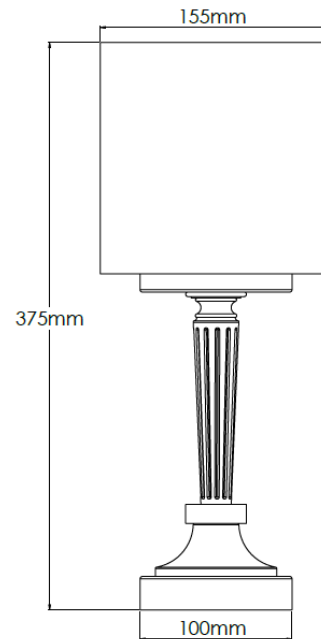


## Product Description

Brass rechargeable table lamp with 6" cotton ivory pleated shade

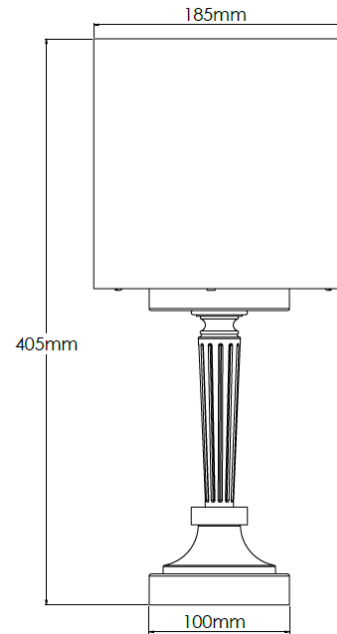


## Technical Specification

<b>MATERIAL</b>	Brass	<b>IP Rating</b>	IP20
<b>FINISH</b>	Old English Light M6/OEBL	<b>HEIGHT</b>	375mm
<b>LAMPHOLDER TYPE</b>	Rechargeable	<b>WIDTH</b>	155mm
<b>RECOMMENDED LAMP</b>	Smart Lamp SC5482	<b>DEPTH/PROJECTION</b>	155mm
<b>MAX WATTAGE</b>	N/A	<b>BACK/CEILING PLATE</b>	N/A
<b>CERTIFICATIONS</b>	UKCA CE	<b>BASE DIAMETER</b>	100mm
<b>DIMMABLE</b>	N/A	<b>WEIGHT</b>	2kg
<b>CLASS I / II / III</b>	N/A	<b>SHADE MATERIAL</b>	Fabric

## Product Description

Brass rechargeable table lamp with 7" cotton ivory pleated shade

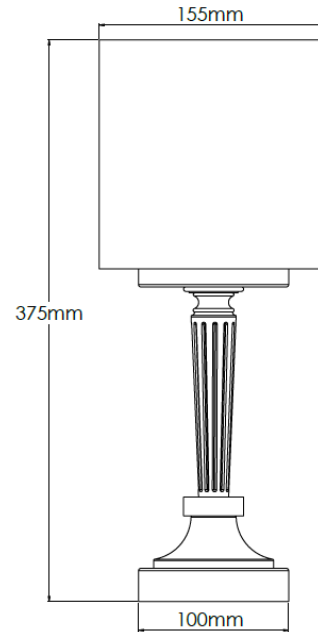


## Technical Specification

<b>MATERIAL</b>	Brass	<b>IP Rating</b>	IP20
<b>FINISH</b>	Old English Light M6/OEBL	<b>HEIGHT</b>	405mm
<b>LAMPHOLDER TYPE</b>	Rechargeable	<b>WIDTH</b>	185mm
<b>RECOMMENDED LAMP</b>	Smart Lamp SC5482	<b>DEPTH/PROJECTION</b>	185mm
<b>MAX WATTAGE</b>	N/A	<b>BACK/CEILING PLATE</b>	N/A
<b>CERTIFICATIONS</b>	UKCA CE	<b>BASE DIAMETER</b>	100mm
<b>DIMMABLE</b>	N/A	<b>WEIGHT</b>	2kg
<b>CLASS I / II / III</b>	N/A	<b>SHADE MATERIAL</b>	Fabric

## Product Description

Brass rechargeable table lamp with 6" snowdrift shade

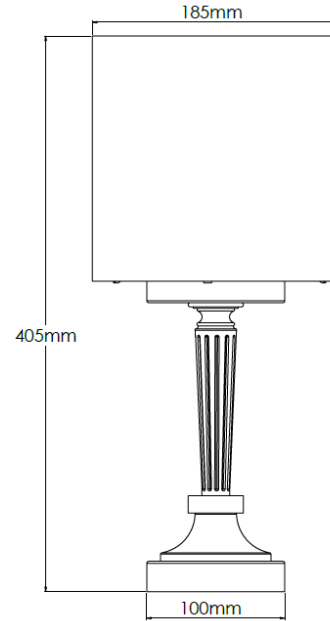


## Technical Specification

<b>MATERIAL</b>	Brass	<b>IP Rating</b>	IP20
<b>FINISH</b>	Old English Light M6/OEBL	<b>HEIGHT</b>	375mm
<b>LAMPHOLDER TYPE</b>	Rechargeable	<b>WIDTH</b>	155mm
<b>RECOMMENDED LAMP</b>	Smart Lamp SC5482	<b>DEPTH/PROJECTION</b>	155mm
<b>MAX WATTAGE</b>	N/A	<b>BACK/CEILING PLATE</b>	N/A
<b>CERTIFICATIONS</b>	UKCA CE	<b>BASE DIAMETER</b>	100mm
<b>DIMMABLE</b>	N/A	<b>WEIGHT</b>	2kg
<b>CLASS I / II / III</b>	N/A	<b>SHADE MATERIAL</b>	Fabric

## Product Description

Brass rechargeable table lamp with 7" snowdrift shade



## Technical Specification

<b>MATERIAL</b>	Brass	<b>IP Rating</b>	IP20
<b>FINISH</b>	Old English Light M6/OEBL	<b>HEIGHT</b>	405mm
<b>LAMPHOLDER TYPE</b>	Rechargeable	<b>WIDTH</b>	185mm
<b>RECOMMENDED LAMP</b>	Smart Lamp SC5482	<b>DEPTH/PROJECTION</b>	185mm
<b>MAX WATTAGE</b>	N/A	<b>BACK/CEILING PLATE</b>	N/A
<b>CERTIFICATIONS</b>	UKCA CE	<b>BASE DIAMETER</b>	100mm
<b>DIMMABLE</b>	N/A	<b>WEIGHT</b>	2kg
<b>CLASS I / II / III</b>	N/A	<b>SHADE MATERIAL</b>	Fabric