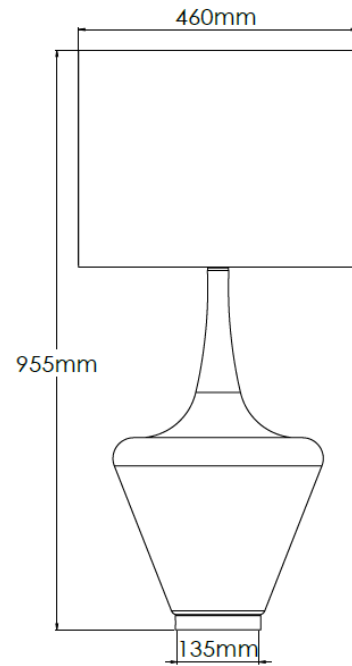


Product Description

Crackle ceramic table lamp with brass base and ivory satin fabric shade

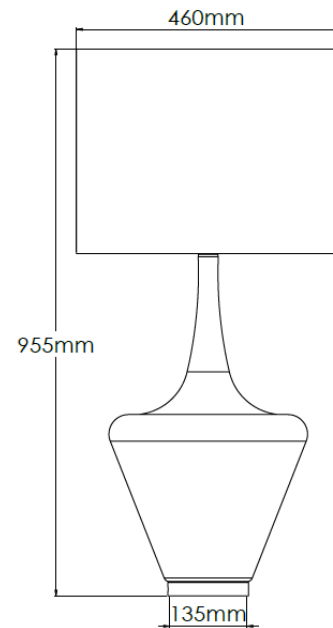


Technical Specification

MATERIAL	Ceramic / Brass	IP Rating	IP20
FINISH	Crackle	HEIGHT	955mm
LAMPHOLDER TYPE	E27 x 1	WIDTH	460mm
RECOMMENDED LAMP	GLS	DEPTH/PROJECTION	460mm
MAX WATTAGE	12W	BACK/CEILING PLATE	N/A
CERTIFICATIONS	UKCA CE	BASE DIAMETER	135mm
DIMMABLE	Mains - If lamps are compatible	WEIGHT	10kg
CLASS I / II / III	Class I	SHADE MATERIAL	Fabric

Product Description

Crackle ceramic table lamp with brass base and zinc fabric shade

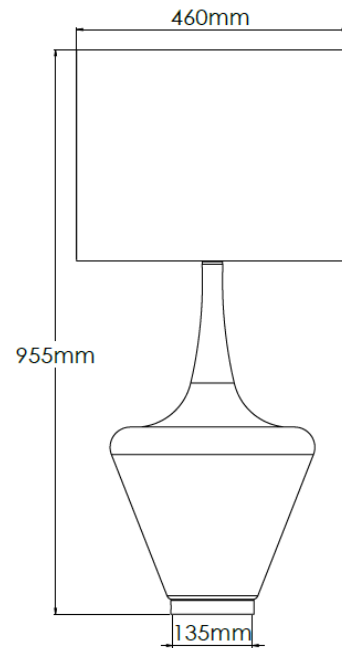


Technical Specification

MATERIAL	Ceramic / Brass	IP Rating	IP20
FINISH	Crackle	HEIGHT	955mm
LAMPHOLDER TYPE	E27 x 1	WIDTH	460mm
RECOMMENDED LAMP	GLS	DEPTH/PROJECTION	460mm
MAX WATTAGE	12W	BACK/CEILING PLATE	N/A
CERTIFICATIONS	UKCA CE	BASE DIAMETER	135mm
DIMMABLE	Mains - If lamps are compatible	WEIGHT	10kg
CLASS I / II / III	Class I	SHADE MATERIAL	Fabric

Product Description

Stipple ceramic table lamp with brass base and ivory satin fabric shade

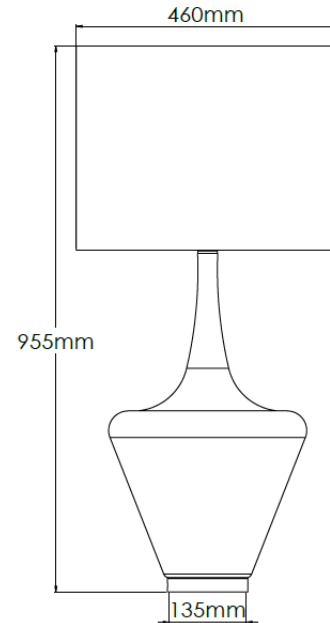


Technical Specification

MATERIAL	Ceramic / Brass	IP Rating	IP20
FINISH	Stipple	HEIGHT	900mm
LAMPHOLDER TYPE	E27 x 1	WIDTH	460mm
RECOMMENDED LAMP	GLS	DEPTH/PROJECTION	460mm
MAX WATTAGE	12W	BACK/CEILING PLATE	N/A
CERTIFICATIONS	UKCA CE	BASE DIAMETER	135mm
DIMMABLE	Mains - If lamps are compatible	WEIGHT	10kg
CLASS I / II / III	Class I	SHADE MATERIAL	Fabric

Product Description

Stipple ceramic table lamp with brass base and zinc fabric shade



Technical Specification

MATERIAL	Ceramic / Brass	IP Rating	IP20
FINISH	Stipple	HEIGHT	900mm
LAMPHOLDER TYPE	E27 x 1	WIDTH	460mm
RECOMMENDED LAMP	GLS	DEPTH/PROJECTION	460mm
MAX WATTAGE	12W	BACK/CEILING PLATE	N/A
CERTIFICATIONS	UKCA CE	BASE DIAMETER	135mm
DIMMABLE	Mains - If lamps are compatible	WEIGHT	10kg
CLASS I / II / III	Class I	SHADE MATERIAL	Fabric