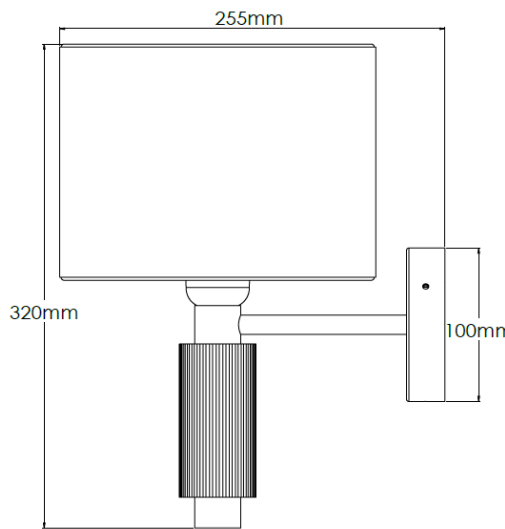


## Product Description

Medium oak wall lamp with brushed brass detailing

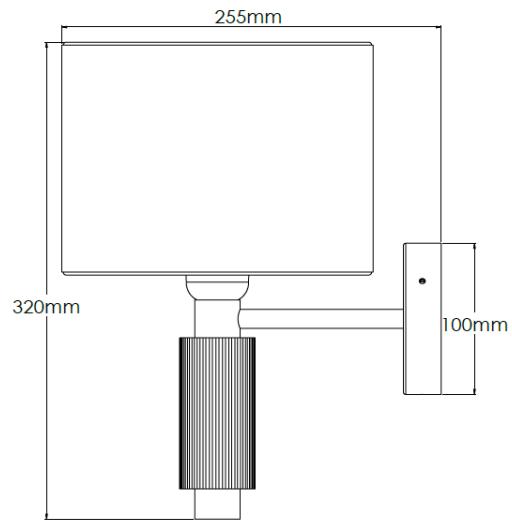


## Technical Specification

|                    |                                 |                    |        |
|--------------------|---------------------------------|--------------------|--------|
| MATERIAL           | Brass / Wood                    | IP Rating          | IP20   |
| FINISH             | Medium Oak                      | HEIGHT             | 320mm  |
| LAMPHOLDER TYPE    | E27 x 1                         | WIDTH              | 210mm  |
| RECOMMENDED LAMP   | GLS                             | DEPTH/PROJECTION   | 255mm  |
| MAX WATTAGE        | 12W                             | BACK/CEILING PLATE | 100mm  |
| CERTIFICATIONS     | UKCA CE                         | BASE DIAMETER      | N/A    |
| DIMMABLE           | Mains - If lamps are compatible | WEIGHT             | 5kg    |
| CLASS I / II / III | Class I                         | SHADE MATERIAL     | Fabric |

## Product Description

Wenge wall lamp with brushed brass detailing



## Technical Specification

|                           |                                 |                           |        |
|---------------------------|---------------------------------|---------------------------|--------|
| <b>MATERIAL</b>           | Brass / Wood                    | <b>IP Rating</b>          | IP20   |
| <b>FINISH</b>             | Wenge                           | <b>HEIGHT</b>             | 320mm  |
| <b>LAMPHOLDER TYPE</b>    | E27 x 1                         | <b>WIDTH</b>              | 210mm  |
| <b>RECOMMENDED LAMP</b>   | GLS                             | <b>DEPTH/PROJECTION</b>   | 255mm  |
| <b>MAX WATTAGE</b>        | 12W                             | <b>BACK/CEILING PLATE</b> | 100mm  |
| <b>CERTIFICATIONS</b>     | UKCA CE                         | <b>BASE DIAMETER</b>      | N/A    |
| <b>DIMMABLE</b>           | Mains - If lamps are compatible | <b>WEIGHT</b>             | 5kg    |
| <b>CLASS I / II / III</b> | Class I                         | <b>SHADE MATERIAL</b>     | Fabric |