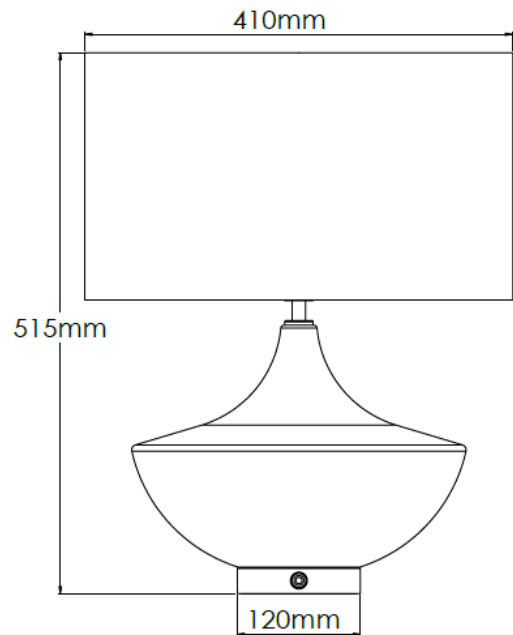


Product Description

Ammonite ceramic table lamp with brass base and Tussah Cocoa fabric shade

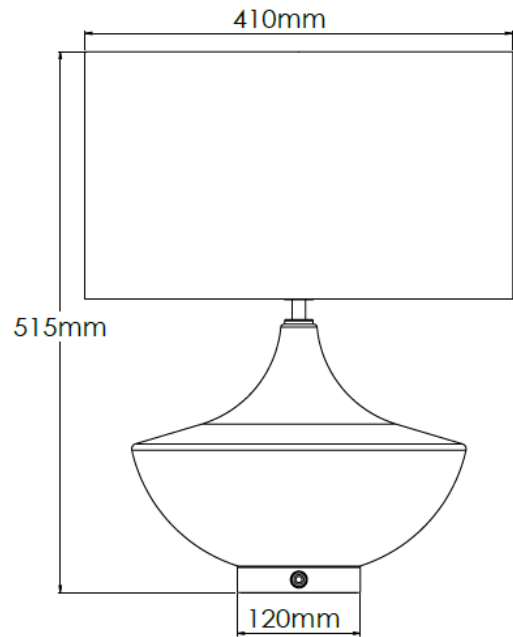


Technical Specification

MATERIAL	Ceramic / Brass	IP Rating	IP20
FINISH	Ammonite	HEIGHT	515mm
LAMPHOLDER TYPE	E27 x 1	WIDTH	410mm
RECOMMENDED LAMP	GLS	DEPTH/PROJECTION	410mm
MAX WATTAGE	12W	BACK/CEILING PLATE	N/A
CERTIFICATIONS	UKCA CE	BASE DIAMETER	120mm
DIMMABLE	Mains - If lamps are compatible	WEIGHT	10kg
CLASS I / II / III	Class I	SHADE MATERIAL	Fabric

Product Description

Midnight ceramic table lamp with brass base and Tussah Walnut fabric shade



Technical Specification

MATERIAL	Ceramic / Brass	IP Rating	IP20
FINISH	Midnight	HEIGHT	515mm
LAMPHOLDER TYPE	E27 x 1	WIDTH	410mm
RECOMMENDED LAMP	GLS	DEPTH/PROJECTION	410mm
MAX WATTAGE	12W	BACK/CEILING PLATE	N/A
CERTIFICATIONS	UKCA CE	BASE DIAMETER	120mm
DIMMABLE	Mains - If lamps are compatible	WEIGHT	10kg
CLASS I / II / III	Class I	SHADE MATERIAL	Fabric