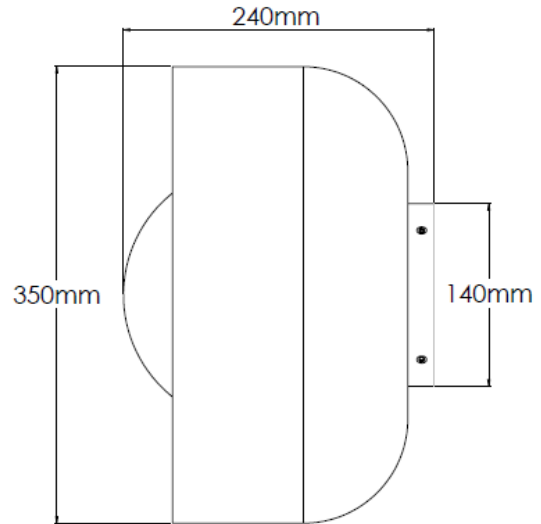


Product Description

Wall lamp with spun shade and reeded glass globe

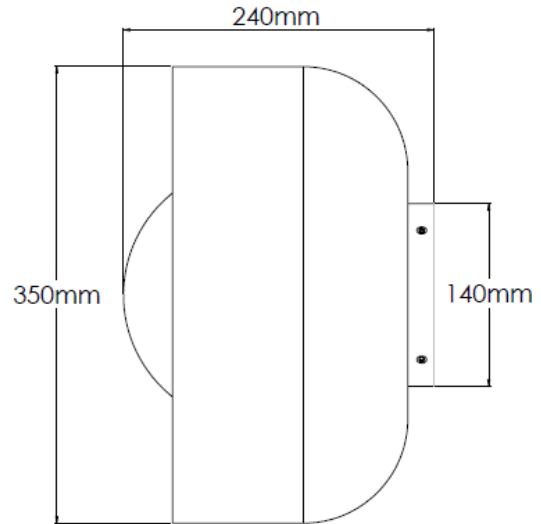


Technical Specification

MATERIAL	Mild steel	IP Rating	IP20
FINISH	Brass Dark P1/BRD	HEIGHT	350mm
LAMPHOLDER TYPE	SES	WIDTH	350mm
RECOMMENDED LAMP	Squirrel Cage/Pear	DEPTH/PROJECTION	240mm
MAX WATTAGE	4W	BACK/CEILING PLATE	140mm
CERTIFICATIONS	UKCA CE, UL	BASE DIAMETER	N/A
DIMMABLE	Mains - If lamps are compatible	WEIGHT	3kg
CLASS I / II / III	Class I	SHADE MATERIAL	Glass

Product Description

Wall lamp with spun shade and opal glass globe

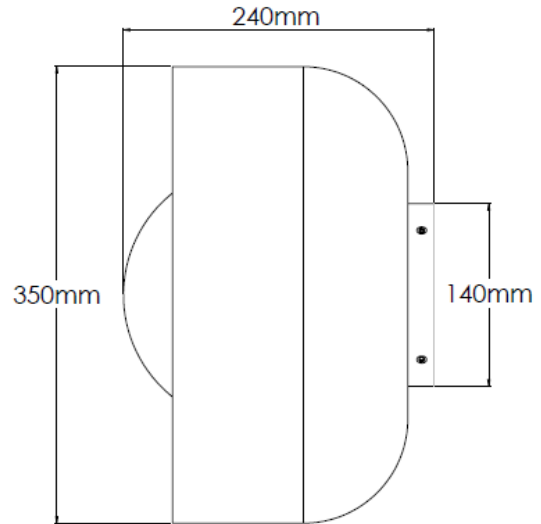


Technical Specification

MATERIAL	Mild steel	IP Rating	IP20
FINISH	Brass Dark M2/BRD	HEIGHT	350mm
LAMPHOLDER TYPE	SES	WIDTH	350mm
RECOMMENDED LAMP	Squirrel Cage/Pear	DEPTH/PROJECTION	240mm
MAX WATTAGE	4W	BACK/CEILING PLATE	140mm
CERTIFICATIONS	UKCA CE, UL	BASE DIAMETER	N/A
DIMMABLE	Mains - If lamps are compatible	WEIGHT	3kg
CLASS I / II / III	Class I	SHADE MATERIAL	Glass

Product Description

Wall lamp with spun shade and reeded glass globe

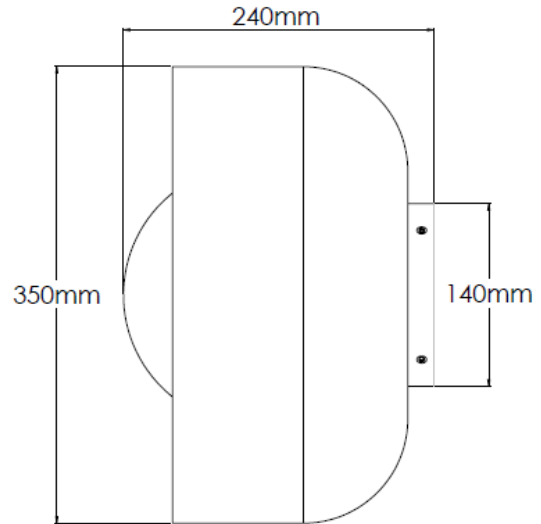


Technical Specification

MATERIAL	Mild steel	IP Rating	IP20
FINISH	P/C Matte Black P1/MBL	HEIGHT	350mm
LAMPHOLDER TYPE	SES	WIDTH	350mm
RECOMMENDED LAMP	Squirrel Cage/Pear	DEPTH/PROJECTION	240mm
MAX WATTAGE	4W	BACK/CEILING PLATE	140mm
CERTIFICATIONS	UKCA CE, UL	BASE DIAMETER	N/A
DIMMABLE	Mains - If lamps are compatible	WEIGHT	3kg
CLASS I / II / III	Class I	SHADE MATERIAL	Glass

Product Description

Wall lamp with spun shade and opal glass globe

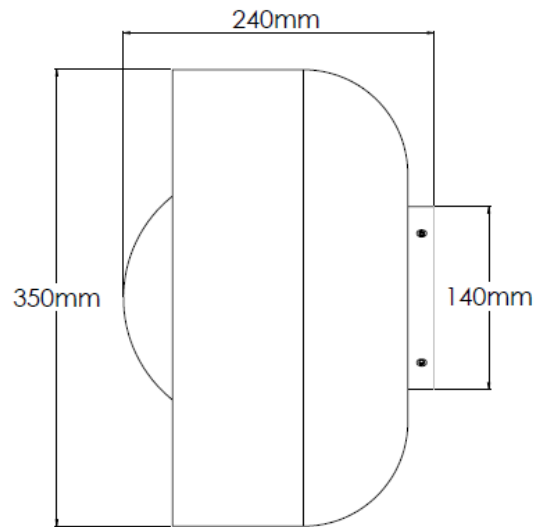


Technical Specification

MATERIAL	Mild steel	IP Rating	IP20
FINISH	P/C Matte Black P1/MBL	HEIGHT	350mm
LAMPHOLDER TYPE	SES	WIDTH	350mm
RECOMMENDED LAMP	Squirrel Cage/Pear	DEPTH/PROJECTION	240mm
MAX WATTAGE	4W	BACK/CEILING PLATE	140mm
CERTIFICATIONS	UKCA CE, UL	BASE DIAMETER	N/A
DIMMABLE	Mains - If lamps are compatible	WEIGHT	3kg
CLASS I / II / III	Class I	SHADE MATERIAL	Glass

Product Description

Wall lamp with spun shade and reeded glass globe

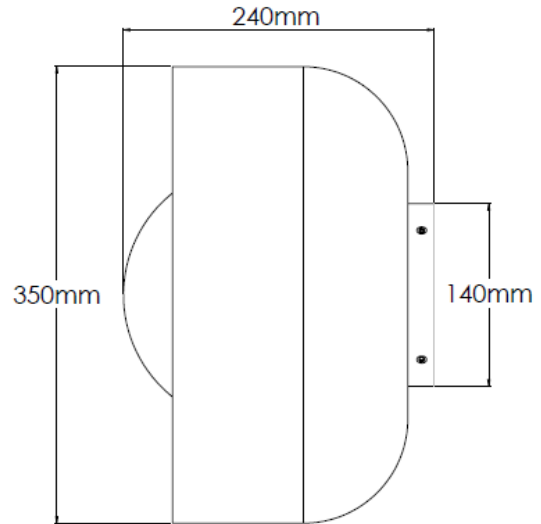


Technical Specification

MATERIAL	Mild steel	IP Rating	IP20
FINISH	RAL 9010	HEIGHT	350mm
LAMPHOLDER TYPE	SES	WIDTH	350mm
RECOMMENDED LAMP	Squirrel Cage/Pear	DEPTH/PROJECTION	240mm
MAX WATTAGE	4W	BACK/CEILING PLATE	140mm
CERTIFICATIONS	UKCA CE, UL	BASE DIAMETER	N/A
DIMMABLE	Mains - If lamps are compatible	WEIGHT	3kg
CLASS I / II / III	Class I	SHADE MATERIAL	Glass

Product Description

Wall lamp with spun shade and opal glass globe



Technical Specification

MATERIAL	Mild steel	IP Rating	IP20
FINISH	RAL 9010	HEIGHT	350mm
LAMPHOLDER TYPE	SES	WIDTH	350mm
RECOMMENDED LAMP	Squirrel Cage/Pear	DEPTH/PROJECTION	240mm
MAX WATTAGE	4W	BACK/CEILING PLATE	140mm
CERTIFICATIONS	UKCA CE, UL	BASE DIAMETER	N/A
DIMMABLE	Mains - If lamps are compatible	WEIGHT	3kg
CLASS I / II / III	Class I	SHADE MATERIAL	Glass