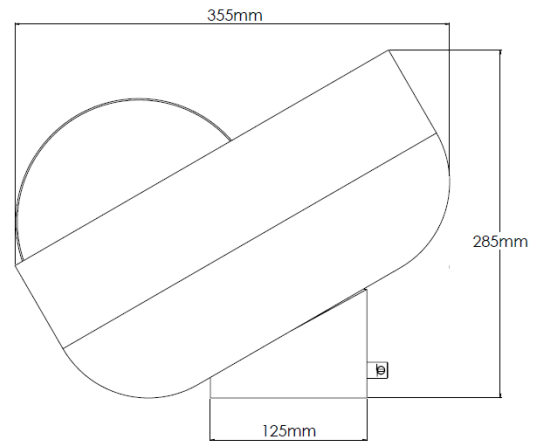


Product Description

Table lamp with spun shade and reeded glass globe

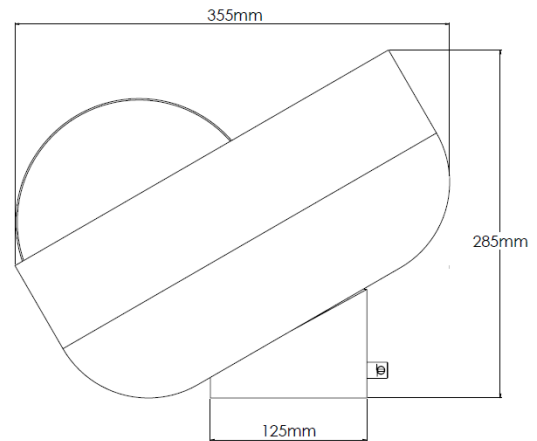


Technical Specification

MATERIAL	Mild Steel	IP Rating	IP20
FINISH	Brass Dark M2/BRD	HEIGHT	285mm
LAMPHOLDER TYPE	SES	WIDTH	350mm
RECOMMENDED LAMP	Squirrel Cage/Pear	DEPTH/PROJECTION	355mm
MAX WATTAGE	4W	BACK/CEILING PLATE	N/A
CERTIFICATIONS	UKCA CE, UL	BASE DIAMETER	125mm
DIMMABLE	Mains - If lamps are compatible	WEIGHT	3kg
CLASS I / II / III	Class I	SHADE MATERIAL	Glass

Product Description

Table lamp with spun shade and opal glass globe

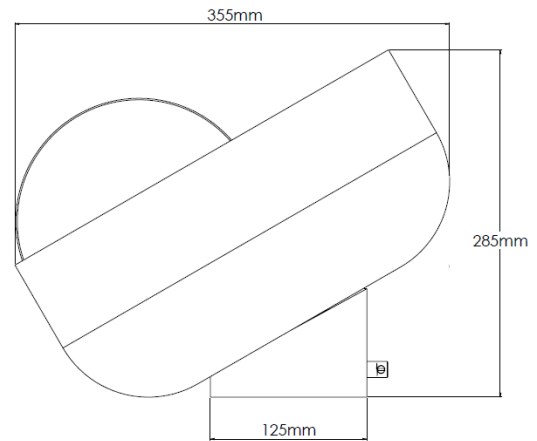


Technical Specification

MATERIAL	Mild Steel	IP Rating	IP20
FINISH	Brass Dark M2/BRD	HEIGHT	285mm
LAMPHOLDER TYPE	SES	WIDTH	350mm
RECOMMENDED LAMP	Squirrel Cage/Pear	DEPTH/PROJECTION	355mm
MAX WATTAGE	4W	BACK/CEILING PLATE	N/A
CERTIFICATIONS	UKCA CE, UL	BASE DIAMETER	125mm
DIMMABLE	Mains - If lamps are compatible	WEIGHT	3kg
CLASS I / II / III	Class I	SHADE MATERIAL	Glass

Product Description

Table lamp with spun shade and reeded glass globe

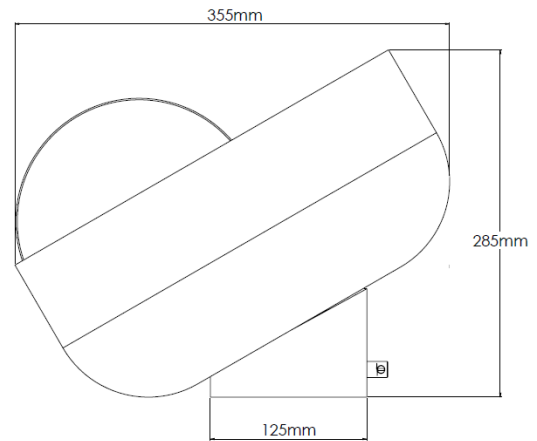


Technical Specification

MATERIAL	Mild Steel	IP Rating	IP20
FINISH	P/C Matte Black P1/MBL	HEIGHT	285mm
LAMPHOLDER TYPE	SES x 1	WIDTH	350mm
RECOMMENDED LAMP	Squirrel Cage/Pear	DEPTH/PROJECTION	355mm
MAX WATTAGE	4W	BACK/CEILING PLATE	N/A
CERTIFICATIONS	UKCA CE, UL	BASE DIAMETER	125mm
DIMMABLE	Mains - If lamps are compatible	WEIGHT	3kg
CLASS I / II / III	Class I	SHADE MATERIAL	Glass

Product Description

Table lamp with spun shade and opal glass globe

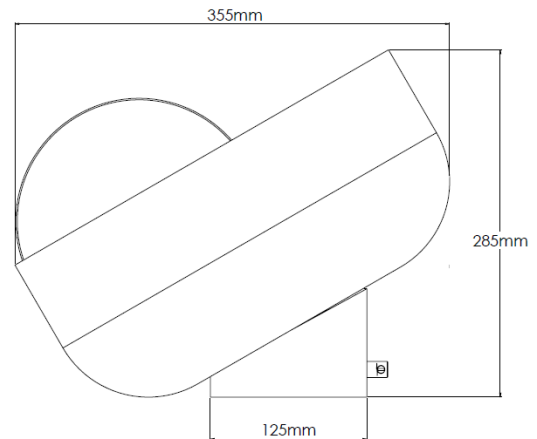


Technical Specification

MATERIAL	Mild Steel	IP Rating	IP20
FINISH	P/C Matte Black P1/MBL	HEIGHT	285mm
LAMPHOLDER TYPE	SES x 1	WIDTH	350mm
RECOMMENDED LAMP	Squirrel Cage/Pear	DEPTH/PROJECTION	355mm
MAX WATTAGE	4W	BACK/CEILING PLATE	N/A
CERTIFICATIONS	UKCA CE, UL	BASE DIAMETER	125mm
DIMMABLE	Mains - If lamps are compatible	WEIGHT	3kg
CLASS I / II / III	Class I	SHADE MATERIAL	Glass

Product Description

Table lamp with spun shade and reeded glass globe

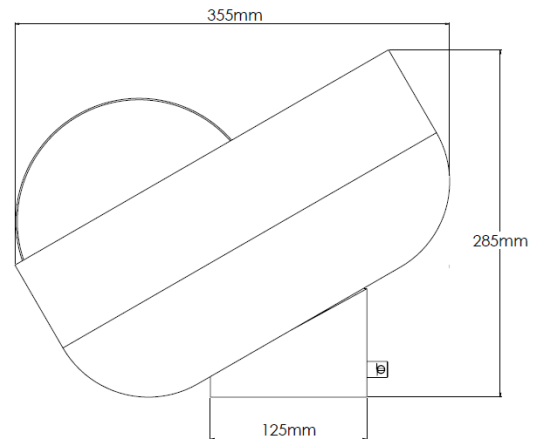


Technical Specification

MATERIAL	Mild Steel	IP Rating	IP20
FINISH	RAL9010	HEIGHT	285mm
LAMPHOLDER TYPE	SES x 1	WIDTH	350mm
RECOMMENDED LAMP	Squirrel Cage/Pear	DEPTH/PROJECTION	355mm
MAX WATTAGE	4W	BACK/CEILING PLATE	N/A
CERTIFICATIONS	UKCA CE, UL	BASE DIAMETER	125mm
DIMMABLE	Mains - If lamps are compatible	WEIGHT	3kg
CLASS I / II / III	Class I	SHADE MATERIAL	Glass

Product Description

Table lamp with spun shade and opal glass globe



Technical Specification

MATERIAL	Mild Steel	IP Rating	IP20
FINISH	RAL9010	HEIGHT	285mm
LAMPHOLDER TYPE	SES x 1	WIDTH	350mm
RECOMMENDED LAMP	Squirrel Cage/Pear	DEPTH/PROJECTION	355mm
MAX WATTAGE	4W	BACK/CEILING PLATE	N/A
CERTIFICATIONS	UKCA CE	BASE DIAMETER	125mm
DIMMABLE	Mains - If lamps are compatible	WEIGHT	3kg
CLASS I / II / III	Class I	SHADE MATERIAL	Glass