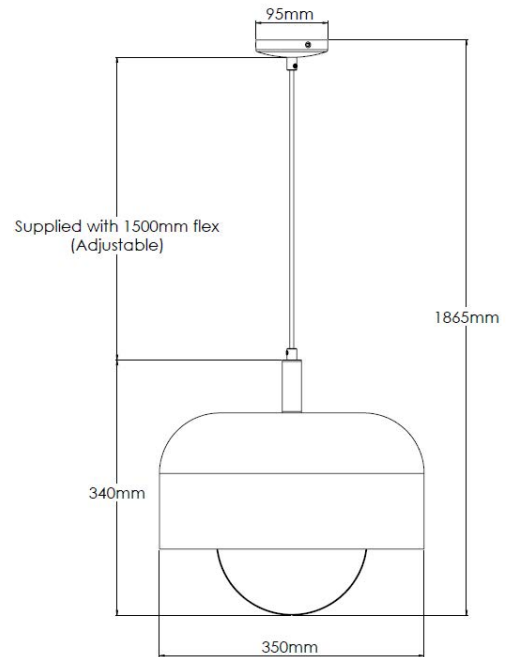


Product Description

Pendant with spun shade and reeded glass globe

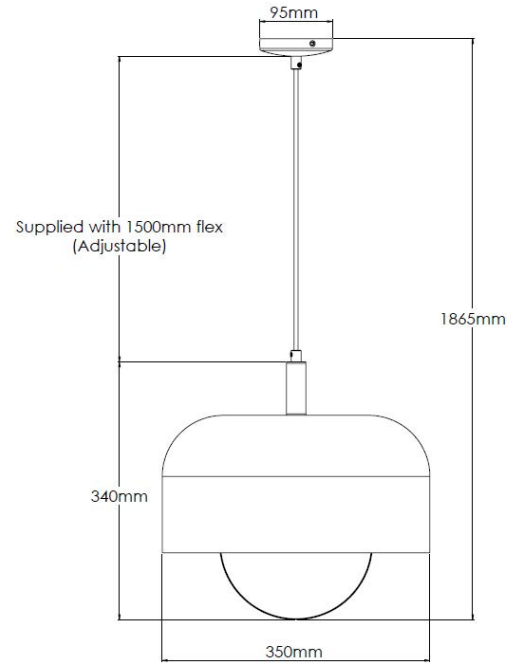


Technical Specification

MATERIAL	Mild steel	IP Rating	IP20
FINISH	Brass Dark M2/BRD	HEIGHT	1865mm
LAMPHOLDER TYPE	SES	WIDTH	350mm
RECOMMENDED LAMP	Squirrel Cage/Pear	DEPTH/PROJECTION	N/A
MAX WATTAGE	4W	BACK/CEILING PLATE	95mm
CERTIFICATIONS	UKCA CE, UL	BASE DIAMETER	N/A
DIMMABLE	Mains - If lamps are compatible	WEIGHT	4kg
CLASS I / II / III	Class I	SHADE MATERIAL	Glass

Product Description

Pendant with spun shade and opal glass globe

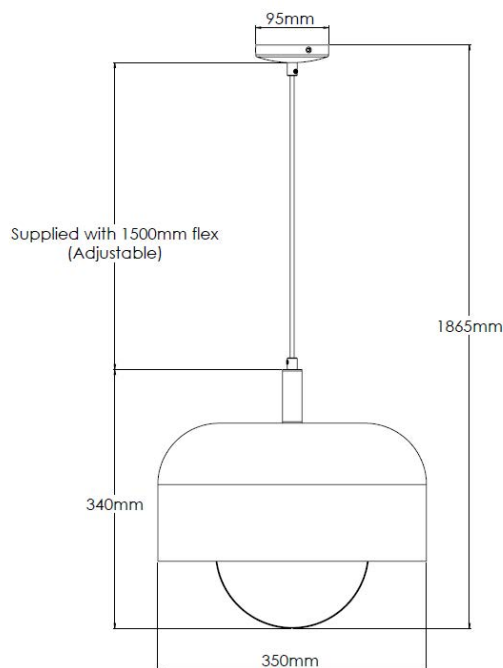


Technical Specification

MATERIAL	Mild steel	IP Rating	IP20
FINISH	Brass Dark M2/BRD	HEIGHT	1865mm
LAMPHOLDER TYPE	SES	WIDTH	350mm
RECOMMENDED LAMP	Squirrel Cage/Pear	DEPTH/PROJECTION	N/A
MAX WATTAGE	4W	BACK/CEILING PLATE	95mm
CERTIFICATIONS	UKCA CE, UL	BASE DIAMETER	N/A
DIMMABLE	Mains - If lamps are compatible	WEIGHT	4kg
CLASS I / II / III	Class I	SHADE MATERIAL	Glass

Product Description

Pendant with spun shade and reeded glass globe

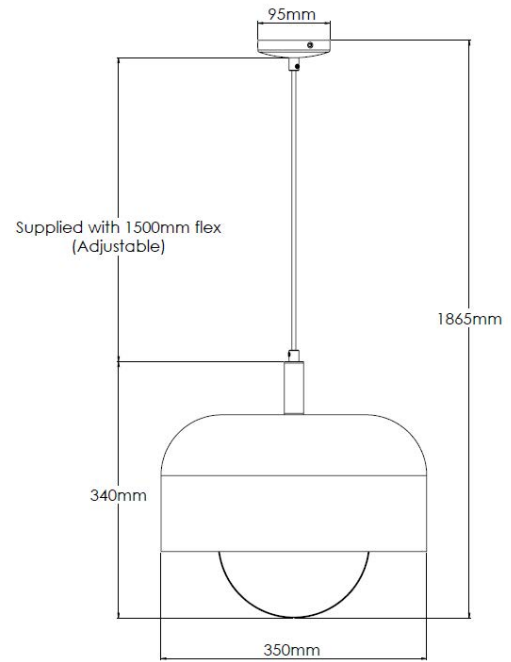


Technical Specification

MATERIAL	Mild steel	IP Rating	IP20
FINISH	Matt Black P2/MBL	HEIGHT	1865mm
LAMPHOLDER TYPE	SES	WIDTH	350mm
RECOMMENDED LAMP	Squirrel Cage/Pear	DEPTH/PROJECTION	N/A
MAX WATTAGE	4W	BACK/CEILING PLATE	95mm
CERTIFICATIONS	UKCA CE, UL	BASE DIAMETER	N/A
DIMMABLE	Mains - If lamps are compatible	WEIGHT	4kg
CLASS I / II / III	Class I	SHADE MATERIAL	Glass

Product Description

Pendant with spun shade and opal glass globe

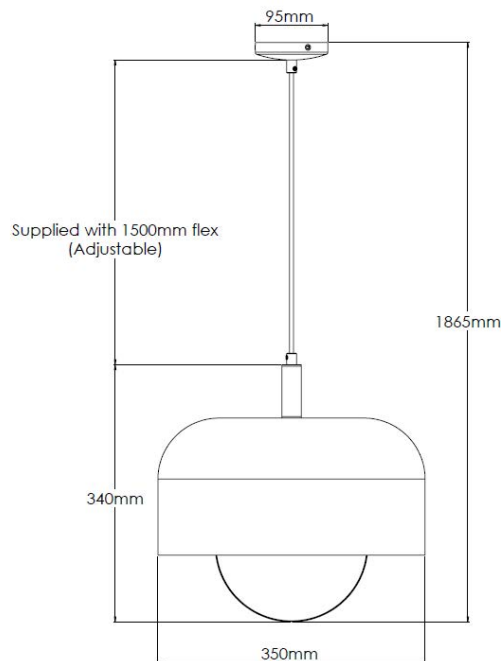


Technical Specification

MATERIAL	Mild steel	IP Rating	IP20
FINISH	P/C Matte Black P1/MBL	HEIGHT	1865mm
LAMPHOLDER TYPE	SES	WIDTH	350mm
RECOMMENDED LAMP	Squirrel Cage/Pear	DEPTH/PROJECTION	N/A
MAX WATTAGE	4W	BACK/CEILING PLATE	95mm
CERTIFICATIONS	UKCA CE, UL	BASE DIAMETER	N/A
DIMMABLE	Mains - If lamps are compatible	WEIGHT	4kg
CLASS I / II / III	Class I	SHADE MATERIAL	Glass

Product Description

Pendant with spun shade and reeded glass globe

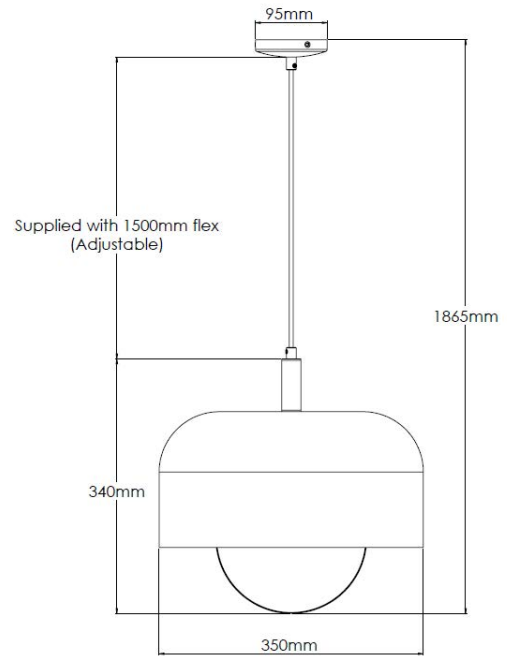


Technical Specification

MATERIAL	Mild steel	IP Rating	IP20
FINISH	RAL 9010	HEIGHT	1865mm
LAMPHOLDER TYPE	SES	WIDTH	350mm
RECOMMENDED LAMP	Squirrel Cage/Pear	DEPTH/PROJECTION	N/A
MAX WATTAGE	4W	BACK/CEILING PLATE	95mm
CERTIFICATIONS	UKCA CE, UL	BASE DIAMETER	N/A
DIMMABLE	Mains - If lamps are compatible	WEIGHT	4kg
CLASS I / II / III	Class I	SHADE MATERIAL	Glass

Product Description

Pendant with spun shade and opal glass globe



Technical Specification

MATERIAL	Mild steel	IP Rating	IP20
FINISH	RAL 9010	HEIGHT	1865mm
LAMPHOLDER TYPE	SES	WIDTH	350mm
RECOMMENDED LAMP	Squirrel Cage/Pear	DEPTH/PROJECTION	N/A
MAX WATTAGE	4W	BACK/CEILING PLATE	95mm
CERTIFICATIONS	UKCA CE, UL	BASE DIAMETER	N/A
DIMMABLE	Mains - If lamps are compatible	WEIGHT	4kg
CLASS I / II / III	Class I	SHADE MATERIAL	Glass