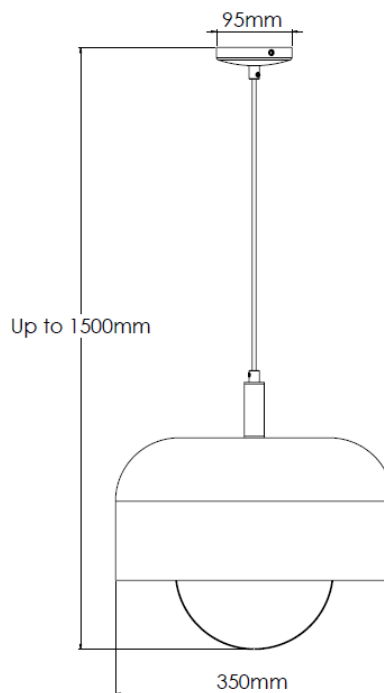


## Product Description

Pendant with spun shade and reeded glass globe

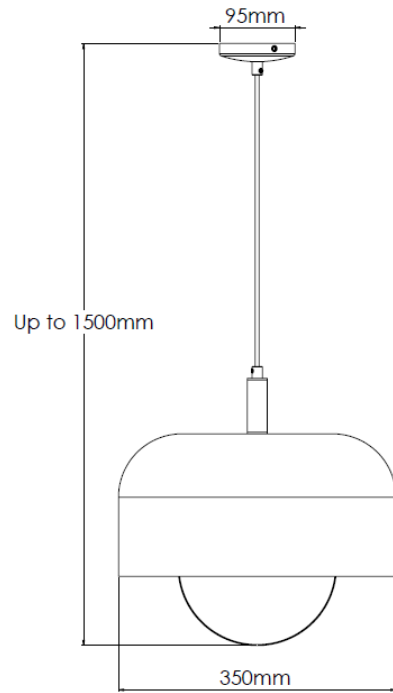


## Technical Specification

<b>MATERIAL</b>	Mild steel	<b>IP Rating</b>	IP20
<b>FINISH</b>	Brass Dark M2/BRD	<b>HEIGHT</b>	1500mm
<b>LAMPHOLDER TYPE</b>	SES	<b>WIDTH</b>	350mm
<b>RECOMMENDED LAMP</b>	Squirrel Cage/Pear	<b>DEPTH/PROJECTION</b>	N/A
<b>MAX WATTAGE</b>	4W	<b>BACK/CEILING PLATE</b>	95mm
<b>CERTIFICATIONS</b>	UKCA CE	<b>BASE DIAMETER</b>	N/A
<b>DIMMABLE</b>	Mains - If lamps are compatible	<b>WEIGHT</b>	4kg
<b>CLASS I / II / III</b>	Class I	<b>SHADE MATERIAL</b>	Glass

## Product Description

Pendant with spun shade and opal glass globe

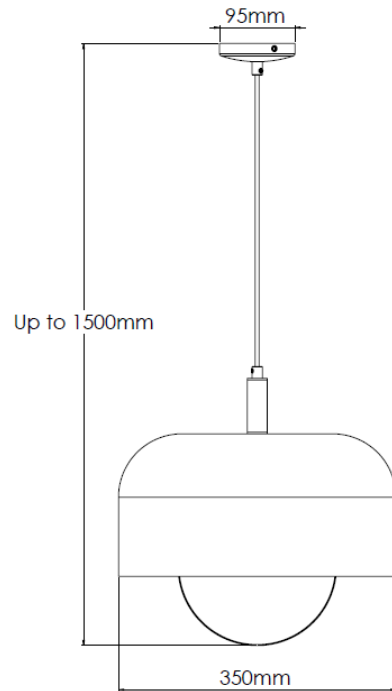


## Technical Specification

<b>MATERIAL</b>	Mild steel	<b>IP Rating</b>	IP20
<b>FINISH</b>	Brass Dark M2/BRD	<b>HEIGHT</b>	1500mm
<b>LAMPHOLDER TYPE</b>	SES	<b>WIDTH</b>	350mm
<b>RECOMMENDED LAMP</b>	Squirrel Cage/Pear	<b>DEPTH/PROJECTION</b>	N/A
<b>MAX WATTAGE</b>	4W	<b>BACK/CEILING PLATE</b>	95mm
<b>CERTIFICATIONS</b>	UKCA CE	<b>BASE DIAMETER</b>	N/A
<b>DIMMABLE</b>	Mains - If lamps are compatible	<b>WEIGHT</b>	4kg
<b>CLASS I / II / III</b>	Class I	<b>SHADE MATERIAL</b>	Glass

## Product Description

Pendant with spun shade and reeded glass globe

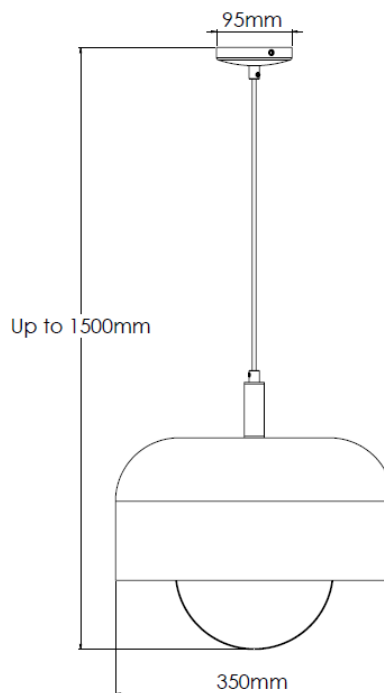


## Technical Specification

<b>MATERIAL</b>	Mild steel	<b>IP Rating</b>	IP20
<b>FINISH</b>	Matt Black P2/MBL	<b>HEIGHT</b>	1500mm
<b>LAMPHOLDER TYPE</b>	SES	<b>WIDTH</b>	350mm
<b>RECOMMENDED LAMP</b>	Squirrel Cage/Pear	<b>DEPTH/PROJECTION</b>	N/A
<b>MAX WATTAGE</b>	4W	<b>BACK/CEILING PLATE</b>	95mm
<b>CERTIFICATIONS</b>	UKCA CE	<b>BASE DIAMETER</b>	N/A
<b>DIMMABLE</b>	Mains - If lamps are compatible	<b>WEIGHT</b>	4kg
<b>CLASS I / II / III</b>	Class I	<b>SHADE MATERIAL</b>	Glass

## Product Description

Pendant with spun shade and opal glass globe

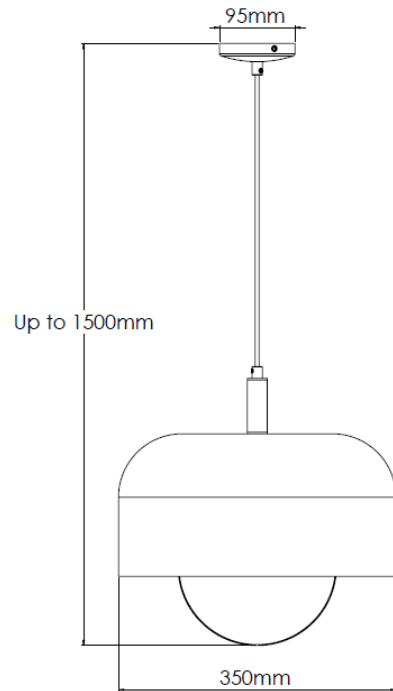


## Technical Specification

<b>MATERIAL</b>	Mild steel	<b>IP Rating</b>	IP20
<b>FINISH</b>	P/C Matte Black P1/MBL	<b>HEIGHT</b>	1500mm
<b>LAMPHOLDER TYPE</b>	SES	<b>WIDTH</b>	350mm
<b>RECOMMENDED LAMP</b>	Squirrel Cage/Pear	<b>DEPTH/PROJECTION</b>	N/A
<b>MAX WATTAGE</b>	4W	<b>BACK/CEILING PLATE</b>	95mm
<b>CERTIFICATIONS</b>	UKCA CE	<b>BASE DIAMETER</b>	N/A
<b>DIMMABLE</b>	Mains - If lamps are compatible	<b>WEIGHT</b>	4kg
<b>CLASS I / II / III</b>	Class I	<b>SHADE MATERIAL</b>	Glass

## Product Description

Pendant with spun shade and reeded glass globe

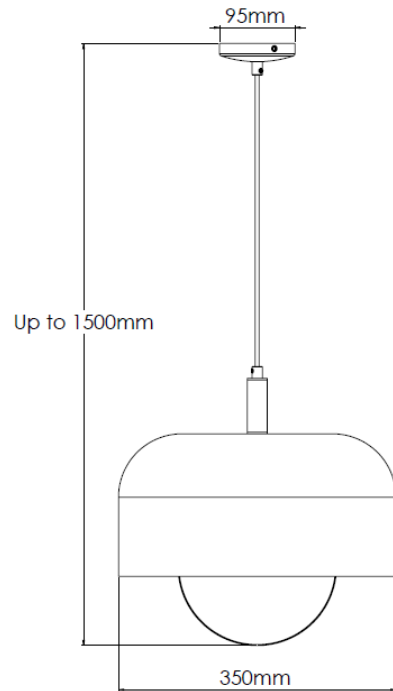


## Technical Specification

<b>MATERIAL</b>	Mild steel	<b>IP Rating</b>	IP20
<b>FINISH</b>	RAL 9010	<b>HEIGHT</b>	1500mm
<b>LAMPHOLDER TYPE</b>	SES	<b>WIDTH</b>	350mm
<b>RECOMMENDED LAMP</b>	Squirrel Cage/Pear	<b>DEPTH/PROJECTION</b>	N/A
<b>MAX WATTAGE</b>	4W	<b>BACK/CEILING PLATE</b>	95mm
<b>CERTIFICATIONS</b>	UKCA CE	<b>BASE DIAMETER</b>	N/A
<b>DIMMABLE</b>	Mains - If lamps are compatible	<b>WEIGHT</b>	4kg
<b>CLASS I / II / III</b>	Class I	<b>SHADE MATERIAL</b>	Glass

## Product Description

Pendant with spun shade and opal glass globe



## Technical Specification

<b>MATERIAL</b>	Mild steel	<b>IP Rating</b>	IP20
<b>FINISH</b>	RAL 9010	<b>HEIGHT</b>	1500mm
<b>LAMPHOLDER TYPE</b>	SES	<b>WIDTH</b>	350mm
<b>RECOMMENDED LAMP</b>	Squirrel Cage/Pear	<b>DEPTH/PROJECTION</b>	N/A
<b>MAX WATTAGE</b>	4W	<b>BACK/CEILING PLATE</b>	95mm
<b>CERTIFICATIONS</b>	UKCA CE	<b>BASE DIAMETER</b>	N/A
<b>DIMMABLE</b>	Mains - If lamps are compatible	<b>WEIGHT</b>	4kg
<b>CLASS I / II / III</b>	Class I	<b>SHADE MATERIAL</b>	Glass